

Merkel Compact Seal Airzet PR

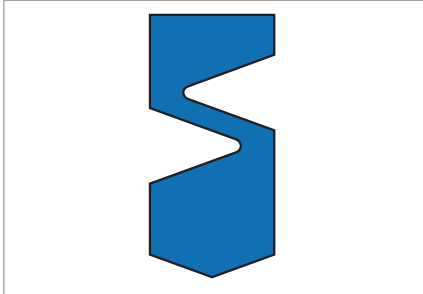


Fig. 1 Merkel Compact Seal Airzet PR

Product description

Merkel Compact Seal can be pressurised on both sides with grooves on the front side for pressure activation.

Product advantages

- The compact design permits short cylinder cover designs
- The rounded sealing profile and the flexible centre part give good tightness with low friction and maintain an effective lubricating film
- Widely proven design
- Large supply range available.
- Very good tribological properties (wear, friction and long service life).

Application

- Short cylinders
- Short solution for cylinders (short stroke) and valves for high-temperature applications (only FKM).

Material

Material	Code	Hardness
NBR rubber	80 NBR 186349	80 Shore A
Fluoro elastomer	75 FKM 230553	75 Shore A

Operating conditions

Material	NBR	FKM
Medium	Prepared, dried and de-oiled compressed air (after greasing for fitting)	
Operating pressure p	≤1,2 MPa (12 bar)	
Temperature T	-20 ... +100 °C	-5 ... +150 °C
Running speed v	≤1 m/s	

Design notes

Surfaces

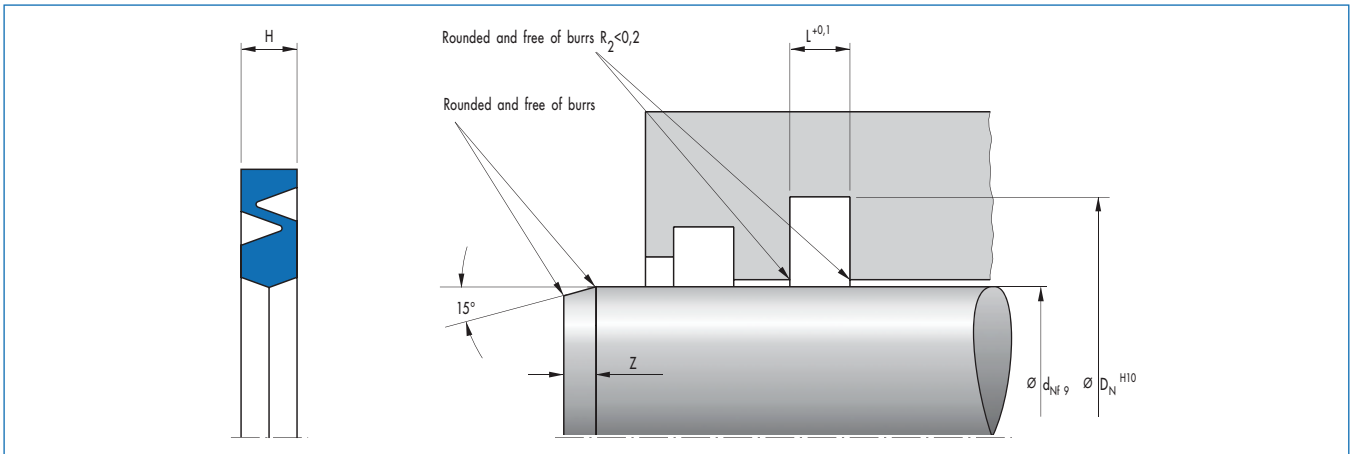
Surface roughness	R _{max}	R _p /R _z
Rod	≤4 µm tp (25% R _{max}) = 50 ... 70%	<0,5
Groove base	≤10 µm	<0,5

Fitting & installation

Careful fitting is a prerequisite for the correct function of the seal → Technical Manual.

The Merkel Compact Seal Airzet PR is snapped over the de-burred housing edge into the housing groove. An axially-accessible housing is required for rod diameters less than 15 mm.

Article list



d_N	D_N	L	H	Z	Material	Article No.	
6	13	2,5	2,3	1,2	80 NBR 186349	49017399	●
6	13	2,5	2,3	1,2	75 FKM 230553	49041787	○
8	15	2,5	2,3	1,2	80 NBR 186349	49017400	●
8	15	2,5	2,3	1,2	75 FKM 230553	49042524	●
10	17	2,5	2,3	1,2	80 NBR 186349	49017401	●
10	17	2,5	2,3	1,2	75 FKM 230553	49042525	●
12	19	2,5	2,3	1,2	80 NBR 186349	49017996	●
12	19	2,5	2,3	1,2	75 FKM 230553	49041788	●
15	22	2,5	2,3	1,2	80 NBR 186349	49017905	●
15	22	2,5	2,3	1,2	75 FKM 230553	49042526	●
16	25	3	2,8	2,2	80 NBR 186349	49017904	●
16	25	3	2,8	2,2	75 FKM 230553	49041789	●
20	29	3	2,8	2,2	75 FKM 230553	49030235	●
20	29	3	2,8	2,2	80 NBR 186349	49017906	●
25	34	3	2,8	2,2	80 NBR 186349	49030179	●
25	34	3	2,8	2,2	75 FKM 230553	49042527	●
30	39	3	2,8	2,2	80 NBR 186349	49030180	●
30	39	3	2,8	2,2	75 FKM 230553	49041790	●
40	49	3	2,8	2,2	80 NBR 186349	49017968	●
40	49	3	2,8	2,2	75 FKM 230553	49042528	●
42	51	3	2,8	2,2	80 NBR 186349	49030174	●
42	51	3	2,8	2,2	75 FKM 230553	49042529	●
50	59	3	2,8	2,2	80 NBR 186349	49030181	●
50	59	3	2,8	2,2	75 FKM 230553	49042530	●

● Available from stock ○ On request: Tool is available, delivery at short notice