

Merkel Compact Seal Airzet PK

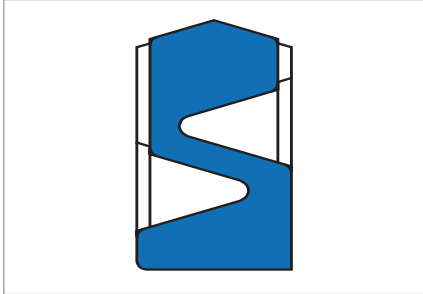


Fig. 1 Merkel Compact Seal Airzet PK

Product description

Merkel Compact Seal Airzet PK can be pressurised on both sides with grooves on the front side for pressure activation.

Product advantages

- The compact design permits short piston designs
- The rounded sealing profile and the flexible centre part give good tightness with low friction and maintain an effective lubricating film
- Widely proven design
- Large supply range available
- Very good tribological properties (wear, friction and long service life).

Application

- Short-stroke cylinders
- Valves and cylinders, especially short-stroke cylinders for high-temperature applications (only FKM).

Material

Material	Code	Hardness
NBR rubber	80 NBR 186349	80 Shore A
Fluoro elastomer	75 FKM 230553	75 Shore A

Operating conditions

Material	NBR	FKM
Medium	Prepared, dried and de-oiled compressed air (after greasing for fitting)	
Operating pressure p	≤1,2 MPa (12 bar)	
Temperature T	-20 ... +100 °C	-5 ... +150 °C
Running speed v	≤1 m/s	

Design notes

Surfaces

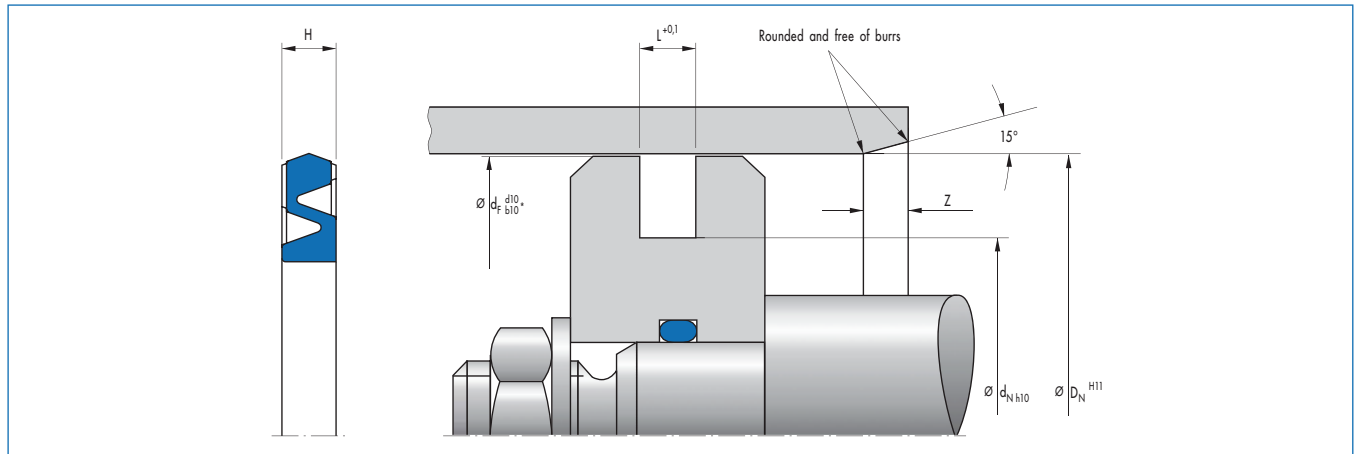
Surface roughness	R _{max}	R _p /R _z
Cylinder barrel	≤4 µm tp (25% R _{max}) = 50 ... 70%	<0,5
Groove base	≤10 µm	<0,5

Fitting & installation

Careful fitting is a prerequisite for the correct function of the seal. → Technical Manual.

The Merkel compact seal Airzet PK is snapped over the de-burred housing edge into the housing groove.

Article list



D_N	d_N	L	H	Z	Material	Article No.	
12	7	2,5	2,2	1,2	80 NBR 186349	49017990	●
12	7	2,5	2,2	1,2	75 FKM 230553	49042426	●
16	9	2,5	2,4	1,2	80 NBR 186349	49017991	●
16	9	2,5	2,4	1,2	75 FKM 230553	49030236	●
20	13	2,5	2,3	2,2	75 FKM 230553	49041727	●
20	13	2,5	2,4	2,2	80 NBR 186349	49017992	●
25	18	2,5	2,4	2,2	80 NBR 186349	49017969	●
25	18	2,5	2,4	2,2	75 FKM 230553	49041728	●
30	21	3	2,9	2,2	80 NBR 186349	49017970	●
30	21	3	2,9	2,2	75 FKM 230553	49041729	●
32	23	3	2,9	2,2	80 NBR 186349	49017971	●
32	23	3	2,9	2,2	75 FKM 230553	49030262	●
35	26	3	2,9	2,2	80 NBR 186349	49030175	●
35	26	3	2,9	2,2	75 FKM 230553	49042427	●
40	31	3	2,9	2,2	80 NBR 186349	49017982	●
40	31	3	2,9	2,2	75 FKM 230553	49030238	●
42	35	2,5	2,4	2,2	75 FKM 230553	49042428	●
45	36	3	2,8	2,2	80 NBR 186349	49017983	●
45	36	3	2,8	2,2	75 FKM 230553	49042429	●
50	41	3	2,9	2,2	80 NBR 186349	49017984	●
50	41	3	2,9	2,2	75 FKM 230553	49030241	●
60	48	4	3,9	2,2	80 NBR 186349	49017985	●
60	48	4	3,9	2,2	75 FKM 230553	49030239	●
63	51	4	3,9	2,2	80 NBR 186349	49017986	●
63	51	4	3,9	2,2	75 FKM 230553	49030240	●
70	58	4	3,9	2,2	80 NBR 186349	49030177	●
70	58	4	3,9	2,2	75 FKM 230553	49042430	●
80	68	4	3,9	2,2	80 NBR 186349	49017987	●
80	68	4	3,9	2,2	75 FKM 230553	49030263	●
90	78	4	3,8	2,2	75 FKM 230553	49041730	●
100	88	4	3,9	2,2	80 NBR 186349	49017988	●
100	88	4	3,9	2,2	75 FKM 230553	49042431	●
125	110	5	4,9	2,2	80 NBR 186349	49017993	●
125	110	5	4,9	2,2	75 FKM 230553	49041731	●

● Available from stock ○ On request: Tool is available, delivery at short notice