

# Merkel Chevron Seal Set ES, ESV

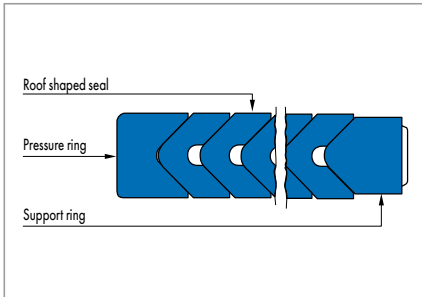


Fig. 1 Merkel Chevron Seal Set ES, ESV

## Product description

Multi-component Merkel seal set for sealing piston rods, consisting of a pressure ring, at least 3 seals and a back-up ring. The Merkel Chevron Seal Sets are available in 3 different designs.

Type A has 3 to 5 fabric roof-shaped seals and can be installed in adjustable or non-adjustable sealing areas.

Type B has 3 to 5 fabric roof-shaped seals, one rubber-sprung back-up ring and is installed in non-adjustable sealing areas. Constant axial pre-load.

Type C has 2 to 4 fabric roof-shaped seals, one rubber seal and can be installed in adjustable and non-adjustable sealing areas. For an enhanced sealing effect. Type A and Type B can be supplied in open form. Type C is always delivered in endless form.

## Product advantages

Seal set for robust operating conditions, mainly for provision of spare parts to old plant

- Proven under extreme conditions
- Long service life
- Can be optimally adjusted to the related application
- Functions over a certain time period even with poorer surfaces
- For application and design-related reasons fluctuations in the leakage behaviour and friction behaviour are to be expected.

## Application

Injection moulding machines, presses, marine hydraulics, scrap cutters, iron and steel industry, special cylinders, steel hydraulics, engineering.

## Material

### Pressure ring

Material	Code
Cotton fabric/NBR	BI-NBR B259
Cotton fabric/FKM	BI-FKM

### Rubber fabric roof-shaped seal

Material	Code
Cotton fabric/NBR	BI-NBR
Cotton fabric/FKM	BI-FKM

### Rubber seal

Material	Code	
NBR	85 NBR	85 Shore A
FKM	85 FKM (ESV)	85 Shore A

### Back-up ring

Material	Code
Cotton fabric/NBR	BI-NBR
Cotton fabric/FKM	BI-FKM
Polyacetal POM	POM

## Operating conditions

Material	BI-NBR / 85 NBR	BI-FKM /85 FKM
	Temperature range in °C	
Hydraulic oils HL, HLP	-30 ... +100	-15 ... +140
HFA fluids	+5 ... +60	+5 ... +60
HFB fluids	+5 ... +60	+5 ... +60
HFC fluids	-30 ... +60	-15 ... +60
HFD fluids	-	-15 ... +140
Water	+5 ... +100	+5 ... +80
HETG (rapeseed oil)	-30 ... +80	-15 ... +80
HEES (synthetic ester)	-30 ... +80	-15 ... +100
HEPG (glycol)	-30 ... +60	-15 ... +80

Material	BI-NBR / 85 NBR	BI-FKM / 85 FKM
<b>Temperature range in °C</b>		
Mineral greases	-30 ... +100	-15 ... +140
Pressure p in MPa	40	
Running speed v in m/s	0,5	

### Fitting & installation

Careful fitting is a prerequisite for the correct function of the seal. Before installation all individual parts of the seal set must be greased. Mineral-oil-based greases can be used so long as they have a good seal-compatibility. The rod must be in the cylinder's installation space before installation. Merkel Chevron Seal Sets can also be built-in in an open form. This has the advantage that in the event of a repair and replacement of the seal set, e.g. in a large system, it does not require a large amount of work for installation. The sealing rings are installed on the plunger or the piston rod and pushed into the housing one by one → Technical Manual.

### Surface quality

Surface roughness	R <sub>a</sub>	R <sub>max</sub>
Sliding surface	0,05 ... 0,3 µm	≤2,5 µm
Groove base	≤1,6 µm	≤6,3 µm
Groove flanks	≤3,0 µm	≤15,0 µm

Percentage contact area M<sub>v</sub> >50% up to max. 90% at cutting depth c = Rz/2 and reference line C ref = 0%.

### Design notes

Please observe our general design notes in → Technical Manual.

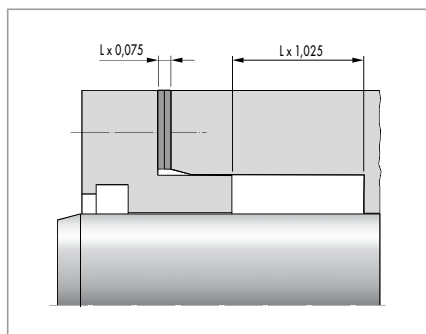
### Gap dimension

The largest gap dimension occurring on the non-pressurised side of the seal in operation is of vital importance for the function of the seal. → Technical Manual.

Nominal Ø d	d
≤80	H9/f8
>80 ... 120	H8/f8
>120 ... 500	H8/f7
> 500 ... 630	H8/f7
> 630 ... 800	H8/f7
> 800 ... 1000	H8/f7
>1000 ... 1250	H8/f7

Nominal Ø d	d
≤500	H11
>500	H10

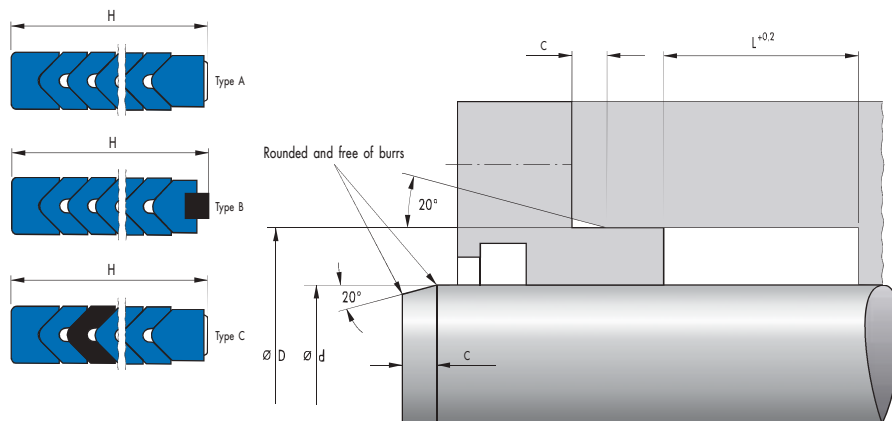
### Housing



Adjustable housings have the advantage of an optimal adjustment option for the sealing effect with minimal idling friction. After a lengthy period of running and incipient wear on the seal tightening

the gland can extend the durability and significantly delay a system standstill. For adjustable housings an extension of 2,5% and an adjustability of 7,5% of dimension L is recommended. Non-adjustable housings have the advantage of more cost-effective manufacture, because washers are not required. Seal set type B is particularly recommended for these housings. The rubber-sprung back-up rings handle the function of initial compression and continuous re-adjustment during operation. Maintenance of the seal contact area is not required. This takes optimum advantage of the durability of the seal set.

Article list

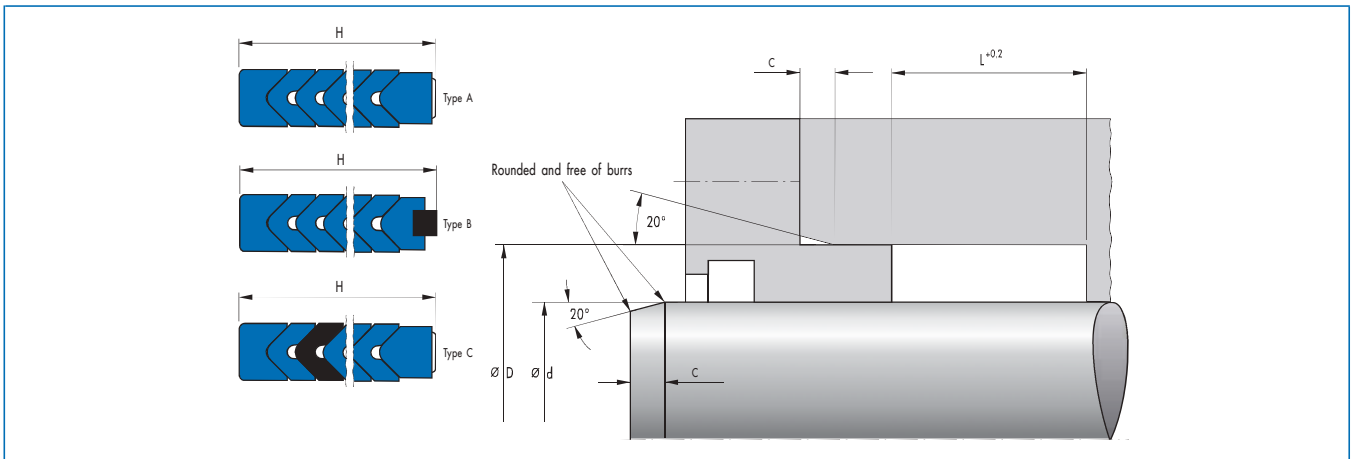


d	D	L	C	Housing	Type	Material	Type	Article No.	
16	26	18,5	3		C closed	BI-F B3K674	ESV	24148034	○
20	28	14,5	3	ISO	C closed	BI-N B3B246	ES	24120639	○
20	30	13,5	3		C closed	BI-N B3B246	ES	24077934	●
20	30	13,5	3		C closed	BI-F B3K674	ESV	24192811	○
20	30	16	3	ISO	C closed	BI-N B3B246	ES	24220043	○
20	30	16	3	ISO	C closed	BI-F B3K674	ESV	24219984	○
20	30	18,5	3		C closed	BI-N B3B246	ES	24070179	●
20	30	18,5	3		C closed	BI-F B3K674	ESV	24139067	○
20	32	22,5	3		C closed	BI-F B3K674	ESV	24139053	○
22	30	14,5	3	ISO	C closed	BI-N B3B246	ES	24120640	○
22	32	13,5	3		C closed	BI-N B3B246	ES	24062158	●
22	32	13,5	3		C closed	BI-F B3K674	ESV	24144548	○
22	32	16	3	ISO	C closed	BI-N B3B246	ES	24220044	○
22	32	16	3	ISO	C closed	BI-F B3K674	ESV	24219986	○
22	32	18,5	3		C closed	BI-N B3B246	ES	24070180	●
22	32	18,5	3		C closed	BI-F B3K674	ESV	24148036	○
25	33	14,5	3	ISO	C closed	BI-N B3B246	ES	24120641	○
25	35	16	3	ISO	C closed	BI-N B3B246	ES	24220045	○
25	35	16	3	ISO	C closed	BI-F B3K674	ESV	24219988	○
25	37	16,5	3		C closed	BI-N B3B246	ES	24062166	○
25	37	16,5	3		C closed	BI-F B3K674	ESV	24219989	○
25	37	22,5	3		C closed	BI-N B3B246	ES	24070181	●
25	37	22,5	3		C closed	BI-F B3K674	ESV	24148037	○
28	38	16	3	ISO	C closed	BI-N B3B246	ES	24120642	○
28	38	16	3	ISO	C closed	BI-F B3K674	ESV	24219990	○
28	40	16,5	3		C closed	BI-N B3B246	ES	24062159	●
28	40	16,5	3		C closed	BI-F B3K674	ESV	24144546	○
28	40	22,5	3		C closed	BI-N B3B246	ES	24070182	●
28	40	22,5	3		C closed	BI-F B3K674	ESV	24139068	●
28	43	25	5	ISO	C closed	BI-N B3B246	ES	24220046	○
28	43	25	5	ISO	C closed	BI-F B3K674	ESV	24219991	○
30	42	16,5	3		C closed	BI-N B3B246	ES	24220047	○
30	42	16,5	3		C closed	BI-F B3K674	ESV	24219992	○
30	42	22,5	3		C closed	BI-N B3B246	ES	24070183	●
30	42	22,5	3		C closed	BI-F B3K674	ESV	24139069	○
32	42	16	3	ISO	C closed	BI-N B3B246	ES	24120643	○

● Available from stock ○ On request: Tool is available, delivery at short notice

d	D	L	C	Housing	Type	Material	Type	Article No.	
32	42	16	3	ISO	C closed	BI-F B3K674	ESV	24219993	○
32	44	16,5	3		C closed	BI-N B3B246	ES	24078187	○
32	44	16,5	3		C closed	BI-F B3K674	ESV	24191167	○
32	44	22,5	3		C closed	BI-N B3B246	ES	24070184	●
32	44	22,5	3		C closed	BI-F B3K674	ESV	24139070	○
32	47	25	5	ISO	C closed	BI-N B3B246	ES	24327287	○
32	47	25	5	ISO	C closed	BI-F B3K674	ESV	24219994	○
35	47	16,5	3		C closed	BI-N B3B246	ES	24062171	○
35	47	16,5	3		C closed	BI-F B3K674	ESV	24219995	○
35	47	22,5	3		C closed	BI-N B3B246	ES	24070185	●
35	47	22,5	3		C closed	BI-F B3K674	ESV	24139071	○
36	46	16	3	ISO	C closed	BI-N B3B246	ES	24120644	○
36	46	16	3	ISO	C closed	BI-F B3K674	ESV	24219996	○
36	46	22,5	3		C closed	BI-F B3K674	ESV	527783	○
36	48	16,5	3		C closed	BI-N B3B246	ES	24084373	●
36	48	16,5	3		C closed	BI-F B3K674	ESV	24149112	○
36	48	22,5	3		C closed	BI-N B3B246	ES	24070186	●
36	48	22,5	3		C closed	BI-F B3K674	ESV	24138994	●
36	51	25	5	ISO	C closed	BI-N B3B246	ES	24327286	●
36	51	25	5	ISO	C closed	BI-F B3K674	ESV	24219997	○
40	50	16	3	ISO	C closed	BI-N B3B246	ES	24120645	●
40	50	16	3	ISO	C closed	BI-F B3K674	ESV	24219998	○
40	52	16,5	3		C closed	BI-N B3B246	ES	24062173	●
40	52	16,5	3		C closed	BI-F B3K674	ESV	24175597	○
40	52	22,5	3		C closed	BI-N B3B246	ES	24070187	●
40	52	22,5	3		C closed	BI-F B3K674	ESV	24139072	○
40	55	25	5	ISO	C closed	BI-N B3B246	ES	24220050	●
40	55	25	5	ISO	C closed	BI-F B3K674	ESV	24219999	○
45	55	16	3	ISO	C closed	BI-N B3B246	ES	24120646	●
45	55	16	3	ISO	C closed	BI-F B3K674	ESV	24220000	○
45	60	16,5	5		C closed	BI-N B3B246	ES	24062175	●
45	60	16,5	5		C closed	BI-F B3K674	ESV	24149108	○
45	60	22,5	5		C closed	BI-N B3B246	ES	24070189	●
45	60	22,5	5		C closed	BI-F B3K674	ESV	24138993	●
45	60	25	5	ISO	C closed	BI-N B3B246	ES	24327285	●
45	60	25	5	ISO	C closed	BI-F B3K674	ESV	24220001	○
50	60	16	3	ISO	C closed	BI-N B3B246	ES	24120647	○
50	60	16	3	ISO	C closed	BI-F B3K674	ESV	24220002	○
50	65	16,5	5		C closed	BI-N B3B246	ES	24062178	●
50	65	16,5	5		C closed	BI-F B3K674	ESV	24186958	○
50	65	22,5	5		C closed	BI-N B3B246	ES	24070190	●
50	65	22,5	5		C closed	BI-F B3K674	ESV	24139074	●
50	65	25	5	ISO	C closed	BI-N B3B246	ES	24327284	●
50	65	25	5	ISO	C closed	BI-F B3K674	ESV	24220003	○
55	70	16,5	5		C closed	BI-N B3B246	ES	24063126	●
55	70	16,5	5		C closed	BI-F B3K674	ESV	24194608	○
55	70	22,5	5		C closed	BI-N B3B246	ES	24070191	●
55	70	22,5	5		C closed	BI-F B3K674	ESV	24129136	○
55	75	30	5		C closed	BI-F B4K674	ESV	24139318	○
56	71	16,5	5		C closed	BI-N B3B246	ES	24112157	●

● Available from stock ○ On request: Tool is available, delivery at short notice

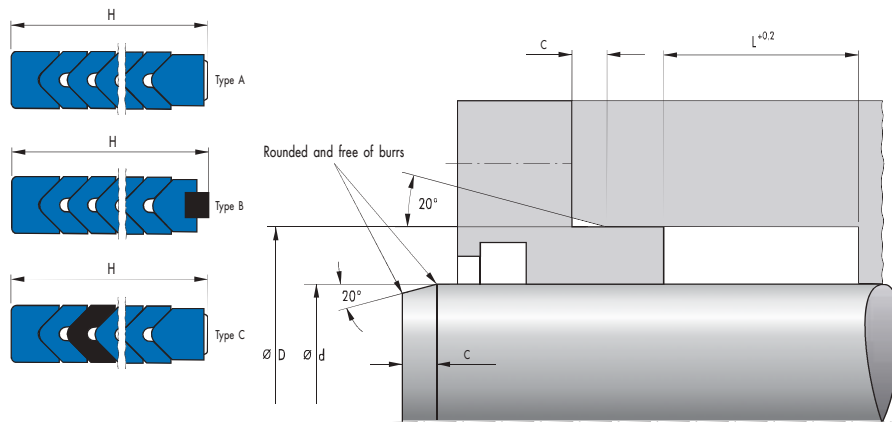


d	D	L	C	Housing	Type	Material	Type	Article No.	
56	71	16,5	5		C closed	BI-F B3K674	ESV	24149111	●
56	71	22,5	5		C closed	BI-N B3B246	ES	24070192	●
56	71	22,5	5		C closed	BI-F B3K674	ESV	24139076	●
56	71	25	5	ISO	C closed	BI-N B3B246	ES	24327283	○
56	71	25	5	ISO	C closed	BI-F B3K674	ESV	24220004	○
56	76	32	5	ISO	C closed	BI-N B4B246	ES	24220054	○
56	76	32	5	ISO	C closed	BI-F B4K674	ESV	24220005	○
56	76	37	5		C closed	BI-F B4K674	ESV	24139131	○
60	75	16,5	5		C closed	BI-N B3B246	ES	24062181	●
60	75	16,5	5		C closed	BI-F B3K674	ESV	24194385	○
60	75	22,5	5		C closed	BI-N B3B246	ES	24070193	●
60	75	22,5	5		C closed	BI-F B3K674	ESV	24148038	●
60	80	37	5		C closed	BI-F B4K674	ESV	24103349	○
63	78	16,5	5		C closed	BI-N B3B246	ES	24114075	○
63	78	16,5	5		C closed	BI-F B4K674	ESV	24220006	○
63	78	22,5	5		C closed	BI-N B3B246	ES	24070194	●
63	78	22,5	5		C closed	BI-F B4K674	ESV	24148039	○
63	78	25	5	ISO	C closed	BI-N B3B246	ES	24327282	○
63	78	25	5	ISO	C closed	BI-F B4K674	ESV	24220007	○
63	83	32	5	ISO	C closed	BI-N B4B246	ES	24220056	○
63	83	32	5	ISO	C closed	BI-F B4K674	ESV	24220008	○
65	80	16,5	5		C closed	BI-N B3B246	ES	24062183	○
65	80	16,5	5		C closed	BI-F B3K674	ESV	24220009	○
65	80	22,5	5		C closed	BI-N B3B246	ES	24070195	●
65	80	22,5	5		C closed	BI-F B3K674	ESV	24139077	○
70	85	16,5	5		C closed	BI-N B3B246	ES	24062188	●
70	85	16,5	5		C closed	BI-F B3K674	ESV	24144001	○
70	85	22,5	5		C closed	BI-N B3B246	ES	24070196	●
70	85	22,5	5		C closed	BI-F B3K674	ESV	24138992	●
70	85	25	5	ISO	C closed	BI-N B3B246	ES	24327280	●
70	85	25	5	ISO	C closed	BI-F B3K674	ESV	24220010	○
70	90	32	5	ISO	C closed	BI-N B4B246	ES	24220058	○
70	90	32	5	ISO	C closed	BI-F B4K674	ESV	24220011	○
70	90	40	5		C closed	BI-F B4K674	ESV	24104730	○
75	90	16,5	5		C closed	BI-N B3B246	ES	24061639	○
75	90	16,5	5		C closed	BI-F B3K674	ESV	24220012	○
75	90	22,5	5		C closed	BI-N B3B246	ES	24070197	●

● Available from stock ○ On request: Tool is available, delivery at short notice

d	D	L	C	Housing	Type	Material	Type	Article No.	
75	90	22,5	5		C closed	BI-F B3K674	ESV	24148040	○
80	95	16,5	5		C closed	BI-N B3B246	ES	24062194	●
80	95	16,5	5		C closed	BI-F B3K674	ESV	24149110	○
80	95	22,5	5		C closed	BI-N B3B246	ES	24070198	●
80	95	22,5	5		C closed	BI-F B3K674	ESV	24139078	○
80	95	25	5	ISO	C closed	BI-N B3B246	ES	24060905	○
80	95	25	5	ISO	C closed	BI-F B3K674	ESV	24220013	○
80	100	32	5	ISO	C closed	BI-N B4B246	ES	24220060	●
80	100	32	5	ISO	C closed	BI-F B4K674	ESV	24220014	○
80	100	40	5		C closed	BI-F B4K674	ESV	24104763	○
85	100	16,5	5		C closed	BI-N B3B246	ES	24078907	○
85	100	16,5	5		C closed	BI-F B3K674	ESV	24194607	○
85	100	22,5	5		C closed	BI-N B3B246	ES	24070199	●
85	100	22,5	5		C closed	BI-F B3K674	ESV	24106403	○
90	105	22,5	5		C closed	BI-F B3K674	ESV	24138991	○
90	105	25	5	ISO	C closed	BI-F B3K674	ESV	24220015	○
90	110	30	5		C closed	BI-N B4B246	ES	24062197	●
90	110	30	5		C closed	BI-F B4K674	ESV	24194606	○
90	110	32	5	ISO	C closed	BI-N B4B246	ES	24220061	●
90	110	32	5	ISO	C closed	BI-F B4K674	ESV	24220016	○
90	110	40	5		C closed	BI-N B4B246	ES	24070231	●
90	110	40	5		C closed	BI-F B4K674	ESV	24119600	●
100	115	30	5		C closed	BI-F B3K674	ESV	24099496	○
100	120	30	5		C closed	BI-N B4B246	ES	24062201	●
100	120	30	5		C closed	BI-F B4K674	ESV	24220017	○
100	120	32	5	ISO	C closed	BI-N B4B246	ES	24126541	●
100	120	32	5	ISO	C closed	BI-F B4K674	ESV	24220018	○
100	120	39	5		C closed	BI-N B4B246	ES	24132386	○
100	120	40	5		C closed	BI-F B4K674	ESV	24104764	●
100	125	40	7,5	ISO	C closed	BI-N B4B246	ES	24220062	●
100	125	40	7,5	ISO	C closed	BI-F B4K674	ESV	24220019	○
110	125	30	5		C closed	BI-F B3K674	ESV	24099500	○
110	130	30	5		C closed	BI-N B4B246	ES	24062205	●
110	130	30	5		C closed	BI-F B4K674	ESV	24220020	○
110	130	32	5	ISO	C closed	BI-N B4B246	ES	24220063	●
110	130	32	5	ISO	C closed	BI-F B4K674	ESV	24220021	○
110	130	40	5		C closed	BI-N B4B246	ES	24070233	●
110	130	40	5		C closed	BI-F B4K674	ESV	24107792	●
110	135	40	7,5	ISO	C closed	BI-N B4B246	ES	24220064	○
110	135	40	7,5	ISO	C closed	BI-F B4K674	ESV	24220022	○
115	140	34	7,5		C closed	BI-N B4B246	ES	24081735	○
115	140	34	7,5		C closed	BI-F B4K674	ESV	24220023	○
115	140	46	7,5		C closed	BI-N B4B246	ES	24070234	●
115	140	46	7,5		C closed	BI-F B4K674	ESV	24119599	○
125	140	34	7,5		C closed	BI-F B3K674	ESV	24139062	○
125	145	32	5	ISO	C closed	BI-N B4B246	ES	24220065	●
125	145	32	5	ISO	C closed	BI-F B4K674	ESV	24220024	○
125	150	34	7,5		C closed	BI-N B4B246	ES	24062207	●
125	150	34	7,5		C closed	BI-F B4K674	ESV	24220025	○
125	150	40	7,5	ISO	C closed	BI-N B4B246	ES	24220066	●

● Available from stock ○ On request: Tool is available, delivery at short notice



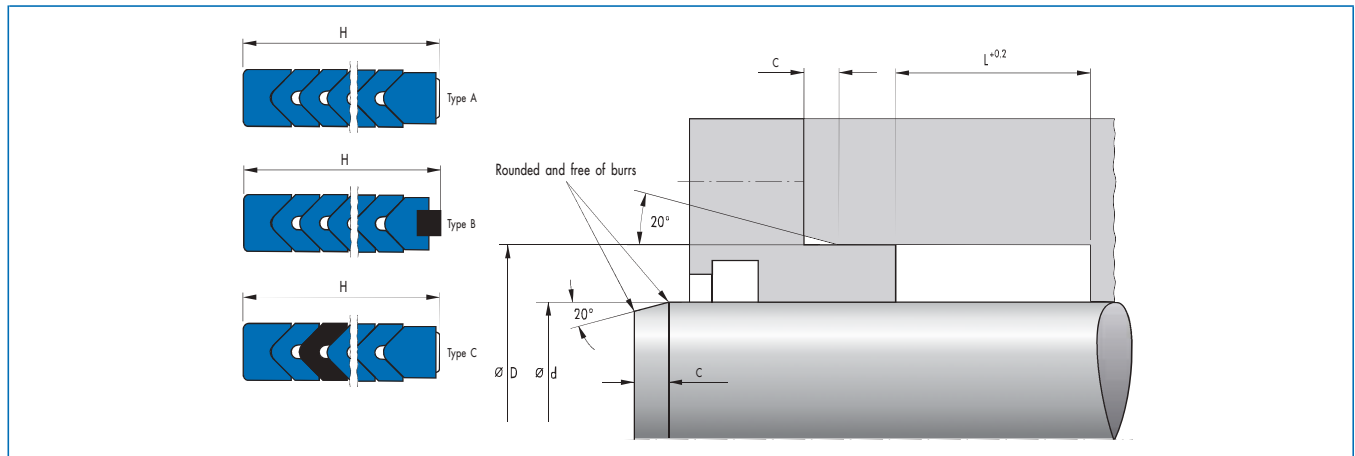
d	D	L	C	Housing	Type	Material	Type	Article No.	
125	150	40	7,5	ISO	C closed	BI-F B4K674	ESV	24220026	○
125	150	46	7,5		C closed	BI-N B4B246	ES	24070235	●
125	150	46	7,5		C closed	BI-F B4K674	ESV	24139162	○
140	155	34	7,5		C closed	BI-F B3K674	ESV	24139063	○
140	160	32	5	ISO	C closed	BI-N B4B246	ES	24194357	●
140	160	32	5	ISO	C closed	BI-F B4K674	ESV	24220027	○
140	165	34	7,5		C closed	BI-N B4B246	ES	24220067	○
140	165	34	7,5		C closed	BI-F B4K674	ESV	24220028	○
140	165	40	7,5	ISO	C closed	BI-N B4B246	ES	24220068	●
140	165	40	7,5	ISO	C closed	BI-F B4K674	ESV	24220029	○
140	165	46	7,5		C closed	BI-N B4B246	ES	24070236	●
140	165	46	7,5		C closed	BI-F B4K674	ESV	24139305	○
150	180	45	7,5		A closed	BI-N B4B246	ES	24061736	●
150	180	45	7,5		A closed	BI-F B4K674	ESV	24220030	○
150	180	60	7,5		A closed	BI-N B4B246	ES	24070237	●
150	180	60	7,5		A open	BI-N B4B246	ES	24170282	○
150	180	60	7,5		A closed	BI-F B4K674	ESV	24148030	○
160	180	40	7,5		A closed	BI-F B4K674	ESV	24139064	○
160	185	40	7,5	ISO	A closed	BI-N B4B246	ES	24220069	○
160	185	40	7,5	ISO	A closed	BI-F B4K674	ESV	24220031	○
160	190	45	7,5		A closed	BI-N B4B246	ES	24061737	○
160	190	45	7,5		A closed	BI-F B4K674	ESV	24220032	○
160	190	50	7,5	ISO	A closed	BI-F B4K674	ESV	24220033	○
160	190	60	7,5		A closed	BI-N B4B246	ES	24070238	●
160	190	60	7,5		A open	BI-N B4B246	ES	24087331	○
160	190	60	7,5		A closed	BI-F B4K674	ESV	24107183	●
180	200	40	7,5		A closed	BI-F B4K674	ESV	24143887	○
180	205	40	7,5	ISO	A closed	BI-N B4B246	ES	24220071	●
180	205	40	7,5	ISO	A closed	BI-F B4K674	ESV	24220034	○
180	210	45	7,5		A closed	BI-N B4B246	ES	24061739	●
180	210	45	7,5		A closed	BI-F B4K674	ESV	24149739	○
180	210	50	7,5	ISO	A closed	BI-N B4B246	ES	24131959	●
180	210	50	7,5	ISO	A closed	BI-F B4K674	ESV	24220035	○
180	210	60	7,5		A closed	BI-N B4B246	ES	24070239	●
180	210	60	7,5		A closed	BI-F B4K674	ESV	24139298	●
190	220	60,5	7,5		A closed	BI-F B4K674	ESV	533505	○
200	225	40	7,5	ISO	A closed	BI-N B4B246	ES	24220072	●

● Available from stock ○ On request: Tool is available, delivery at short notice

d	D	L	C	Housing	Type	Material	Type	Article No.	
200	230	45	7,5		A closed	BI-N B4B246	ES	24064261	●
200	230	45	7,5		A closed	BI-F B4K674	ESV	24173014	○
200	230	50	7,5	ISO	A closed	BI-N B4B246	ES	24076302	●
200	230	50	7,5	ISO	A closed	BI-F B4K674	ESV	24220037	○
200	230	50,5	7,5		A open	BI-N B4B246	ES	24218873	○
200	230	50,5	7,5		A closed	BI-N B4B246	ES	24219156	○
200	230	51,5	7,5	ISO	B open	BI-N B4B246	ES	24145843	○
200	230	52	7,5		B closed	BI-N B4B246	ES	24218713	○
200	230	60	7,5		A closed	BI-N B4B246	ES	24070240	●
200	230	60	7,5		B open	BI-N B4B246	ES	24079136	○
200	230	60	7,5		A open	BI-N B4B246	ES	24135050	○
200	230	60	7,5		A closed	BI-F B4K674	ESV	24107185	●
200	230	61,5	7,5		B closed	BI-N B4B246	ES	24146349	○
220	250	50	7,5	ISO	A closed	BI-N B4B246	ES	24061745	●
220	250	50,5	7,5		A open	BI-N B4B246	ES	24114136	○
220	250	50,5	7,5		A closed	BI-N B4B246	ES	24219165	○
220	250	52	7,5		B open	BI-N B4B246	ES	24218512	○
220	250	52	7,5		B closed	BI-N B4B246	ES	24218722	○
220	250	60	7,5		A closed	BI-N B4B246	ES	24063737	●
220	250	60	7,5		A open	BI-N B4B246	ES	24218891	○
220	250	61,5	7,5		B closed	BI-N B4B246	ES	24100511	○
220	250	61,5	7,5		B open	BI-N B4B246	ES	24114159	○
225	255	50,5	7,5		A closed	BI-N B4B246	ES	24100216	○
225	255	50,5	7,5		A open	BI-N B4B246	ES	24218892	○
225	255	60	7,5		A closed	BI-N B4B246	ES	24067706	○
225	255	60	7,5		A open	BI-N B4B246	ES	24218895	○
225	255	61,5	7,5		B closed	BI-N B4B246	ES	24064015	○
225	255	61,5	7,5		B open	BI-N B4B246	ES	24218517	○
240	270	50,5	7,5		A open	BI-N B4B246	ES	24218903	○
240	270	50,5	7,5		A closed	BI-N B4B246	ES	24219174	○
240	270	52	7,5		B open	BI-N B4B246	ES	24218522	○
240	270	52	7,5		B closed	BI-N B4B246	ES	24218734	○
240	270	60	7,5		A closed	BI-N B4B246	ES	24061635	○
240	270	60	7,5		A open	BI-N B4B246	ES	24177276	○
240	270	61,5	7,5		B closed	BI-N B4B246	ES	24083267	○
240	270	61,5	7,5		B open	BI-N B4B246	ES	24083524	○
250	280	50,5	7,5		A closed	BI-N B4B246	ES	24100419	○
250	280	50,5	7,5		A open	BI-N B4B246	ES	24218910	●
250	280	52	7,5		B open	BI-N B4B246	ES	24218527	○
250	280	52	7,5		B closed	BI-N B4B246	ES	24218737	○
250	280	60	7,5		A closed	BI-N B4B246	ES	24061638	●
250	280	60	7,5		A open	BI-N B4B246	ES	24218913	○
250	280	61,5	7,5		B closed	BI-N B4B246	ES	24104086	○
250	280	61,5	7,5		B open	BI-N B4B246	ES	24218529	○
260	290	50,5	7,5		A closed	BI-N B4B246	ES	24067374	○
260	290	50,5	7,5		A open	BI-N B4B246	ES	24218917	○
260	290	52	7,5		B open	BI-N B4B246	ES	24218534	○
260	290	52	7,5		B closed	BI-N B4B246	ES	24218739	○
260	290	60	7,5		A open	BI-N B4B246	ES	24218920	○
260	290	60	7,5		A closed	BI-N B4B246	ES	24219178	○

● Available from stock ○ On request: Tool is available, delivery at short notice



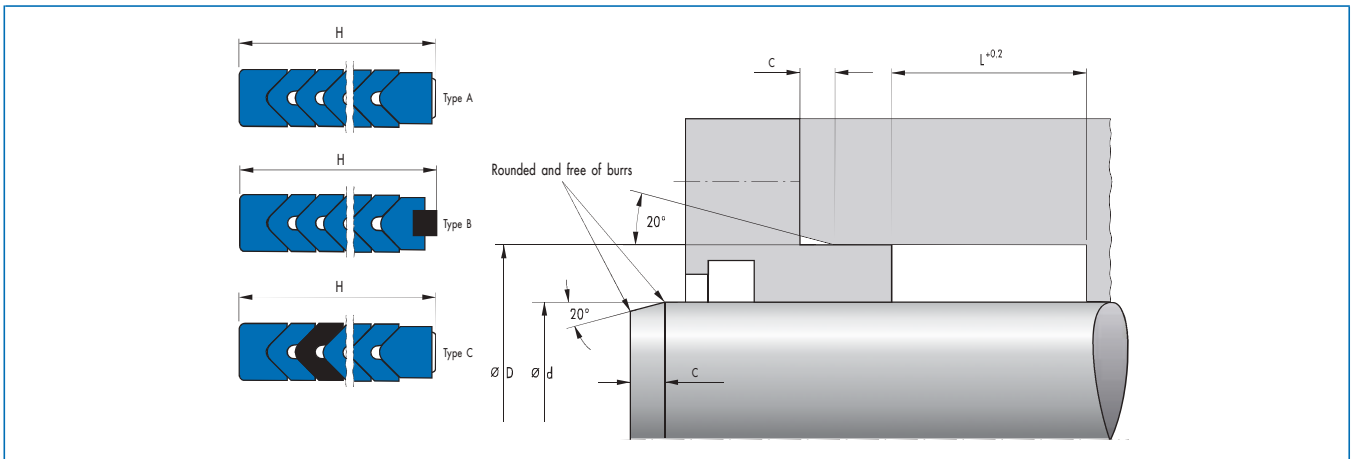


d	D	L	C	Housing	Type	Material	Type	Article No.	
260	290	61,5	7,5		B closed	BI-N B4B246	ES	24101540	○
260	290	61,5	7,5		B open	BI-N B4B246	ES	24218537	○
280	310	50,5	7,5		A closed	BI-N B4B246	ES	24219179	○
280	310	60	7,5		A closed	BI-N B4B246	ES	24066929	●
280	310	60	7,5		A open	BI-N B4B246	ES	24218933	○
280	310	61,5	7,5		B closed	BI-N B4B246	ES	24064013	○
280	310	61,5	7,5		B open	BI-N B4B246	ES	24071155	○
280	320	80	10		A closed	BI-N B4B246	ES	24072791	●
280	320	80	10		A open	BI-N B4B246	ES	24114214	○
280	320	81,5	10		B closed	BI-N B4B246	ES	24113699	○
280	320	81,5	10		B open	BI-N B4B246	ES	24121893	○
300	330	50,5	7,5		A open	BI-N B4B246	ES	24218941	○
300	330	52	7,5		B open	BI-N B4B246	ES	24121478	○
300	330	58	7,5		A closed	BI-N B4B246	ES	24074670	●
300	330	60	7,5		A open	BI-N B4B246	ES	24218944	○
300	330	61,5	7,5		B open	BI-N B4B246	ES	24071159	○
300	340	80	10		A closed	BI-N B4B246	ES	24073340	○
300	340	80	10		A open	BI-N B4B246	ES	24078123	○
300	340	81,5	10		B closed	BI-N B4B246	ES	24066737	○
300	340	81,5	10		B open	BI-N B4B246	ES	24114599	○
320	350	50,5	7,5		A open	BI-N B4B246	ES	24218956	○
320	350	52	7,5		B open	BI-N B4B246	ES	24218559	○
320	350	60	7,5		A open	BI-N B4B246	ES	24218959	○
320	350	61,5	7,5		B open	BI-N B4B246	ES	24071163	○
320	360	64,5	10	ISO	B open	BI-N B4B246	ES	24145831	○
320	360	80	10		A closed	BI-N B4B246	ES	24066450	○
320	360	80	10		A open	BI-N B4B246	ES	24218961	○
320	360	81,5	10		B closed	BI-N B4B246	ES	24084628	○
320	360	81,5	10		B open	BI-N B4B246	ES	24111755	○
340	370	50,5	7,5		A open	BI-N B4B246	ES	24099882	○
340	370	52	7,5		B open	BI-N B4B246	ES	24218566	○
340	370	58	7,5		A open	BI-N B4B246	ES	24081906	○
340	370	60	7,5		A open	BI-N B4B246	ES	24218968	○
340	380	80	10		A closed	BI-N B4B246	ES	24063605	○
340	380	80	10		A open	BI-N B4B246	ES	24218969	○
340	380	81,5	10		B closed	BI-N B4B246	ES	24069050	○
340	380	81,5	10		B open	BI-N B4B246	ES	24148207	○

● Available from stock ○ On request: Tool is available, delivery at short notice

d	D	L	C	Housing	Type	Material	Type	Article No.	
360	390	50,5	7,5		A open	BI-N B4B210	ES	24218979	○
360	390	50,5	7,5		A closed	BI-N B4B246	ES	24087305	○
360	390	52	7,5		B open	BI-N B4B210	ES	24218577	○
360	390	58	7,5		A closed	BI-N B4B246	ES	24097554	○
360	390	60	7,5		A open	BI-N B4B210	ES	24218982	○
360	390	60	7,5		A closed	BI-N B4B246	ES	24219196	○
360	390	61,5	7,5		B open	BI-N B4B210	ES	24073530	○
360	390	61,5	7,5		B closed	BI-N B4B246	ES	24218775	○
360	400	64,5	10	ISO	B open	BI-N B4B246	ES	24145834	○
360	400	80	10		A closed	BI-N B4B246	ES	24061644	○
360	400	80	10		A open	BI-N B4B246	ES	24084039	○
360	400	81,5	10		B closed	BI-N B4B246	ES	24068143	○
360	400	81,5	10		B open	BI-N B4B246	ES	24123407	○
370	400	50,5	7,5		A open	BI-N B4B210	ES	24218984	○
370	400	52	7,5		B open	BI-N B4B210	ES	24218580	○
370	400	60	7,5		A open	BI-N B4B210	ES	24218987	○
370	400	61,5	7,5		B open	BI-N B4B210	ES	24107401	○
370	410	80	10		A closed	BI-N B4B246	ES	24099626	○
370	410	80	10		A open	BI-N B4B246	ES	24218989	○
370	410	81,5	10		B open	BI-N B4B246	ES	24097789	○
370	410	81,5	10		B closed	BI-N B4B246	ES	24194332	○
380	410	50,5	7,5		A open	BI-N B4B210	ES	24218990	○
380	410	60	7,5		A open	BI-N B4B210	ES	24218993	○
380	410	61,5	7,5		B open	BI-N B4B210	ES	24213225	○
380	420	80	10		A closed	BI-N B4B246	ES	24069067	○
380	420	81,5	10		B closed	BI-N B4B246	ES	24069165	○
390	420	50,5	7,5		A open	BI-N B4B210	ES	24218996	○
390	420	52	7,5		B open	BI-N B4B210	ES	24218588	○
390	420	60	7,5		A open	BI-N B4B210	ES	24187142	○
390	420	61,5	7,5		B open	BI-N B4B210	ES	24126556	○
390	430	80	10		A open	BI-N B4B210	ES	24145527	○
390	430	81,5	10		B open	BI-N B4B210	ES	24100035	○
400	430	50,5	7,5		A open	BI-N B4B210	ES	24219000	○
400	430	50,5	7,5		A closed	BI-N B4B210	ES	24219197	○
400	430	52,5	7,5		A open	BI-N B4B210	ES	24198468	○
400	430	52,5	7,5		A closed	BI-N B4B210	ES	24219198	○
400	430	60	7,5		A open	BI-N B4B210	ES	24087212	○
400	430	60	7,5		A closed	BI-N B4B210	ES	24219200	○
400	430	61,5	7,5		B open	BI-N B4B210	ES	24071209	○
400	430	61,5	7,5		B closed	BI-N B4B210	ES	24087903	○
400	440	70	10		A open	BI-N B4B210	ES	24219002	○
400	440	70	10		A closed	BI-N B4B210	ES	24219201	○
400	440	79	10		A closed	BI-N B4B210	ES	24219202	○
400	440	80	10		A closed	BI-N B4B210	ES	24071557	○
400	440	80	10		A open	BI-N B4B210	ES	24219004	○
400	440	81,5	10		B closed	BI-N B4B210	ES	24086147	○
400	440	81,5	10		B open	BI-N B4B210	ES	24113319	○
400	440	89	10		A closed	BI-N B4B210	ES	24219203	○
400	440	90,5	10		B open	BI-N B4B210	ES	24218593	○
410	440	52,5	7,5		A open	BI-N B4B210	ES	24219006	○

● Available from stock ○ On request: Tool is available, delivery at short notice

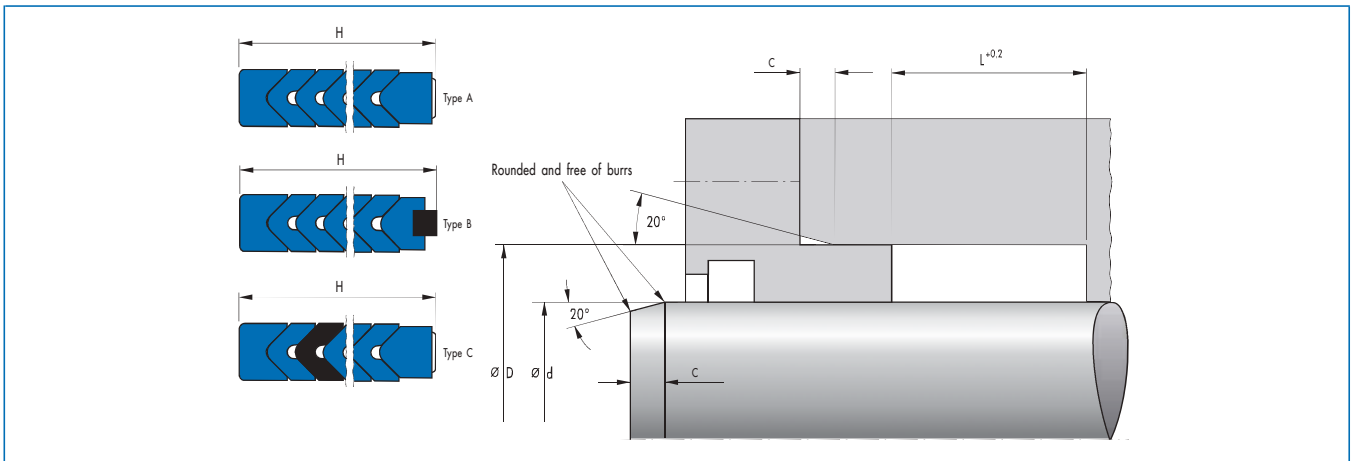


d	D	L	C	Housing	Type	Material	Type	Article No.	
410	440	54	7,5		B open	BI-N B4B210	ES	24218594	○
410	440	60	7,5		A open	BI-N B4B210	ES	24219007	○
410	440	61,5	7,5		B open	BI-N B4B210	ES	24116167	○
410	445	60	10		A closed	BI-N B4B210	ES	24114451	○
410	450	70	10		A closed	BI-N B4B210	ES	24108466	○
410	450	70	10		A open	BI-N B4B210	ES	24219008	○
410	450	71,5	10		B closed	BI-N B4B210	ES	24140331	○
410	450	71,5	10		B open	BI-N B4B210	ES	24218595	○
410	450	79	10		A open	BI-N B4B210	ES	24219009	○
410	450	79	10		A closed	BI-N B4B210	ES	24219204	○
410	450	80	10		A closed	BI-N B4B210	ES	24196025	○
410	450	80	10		A open	BI-N B4B210	ES	24219010	○
410	450	80,5	10		B open	BI-N B4B210	ES	24218596	○
410	450	80,5	10		B closed	BI-N B4B210	ES	24218780	○
410	450	81,5	10		B open	BI-N B4B210	ES	24136066	○
410	450	81,5	10		B closed	BI-N B4B210	ES	24218781	○
410	450	81,5	10		B closed	BI-N B4B210	ES	24218782	○
410	450	89	10		A open	BI-N B4B210	ES	24219011	○
410	450	89	10		A closed	BI-N B4B210	ES	24219205	○
410	450	90,5	10		B open	BI-N B4B210	ES	24218597	○
415	455	61,5	10		B open	BI-N B4B210	ES	24267389	○
415	455	81,5	10		B open	BI-N B4B210	ES	24128991	○
420	450	52,5	7,5		A open	BI-N B4B210	ES	24219012	○
420	450	54	7,5		B open	BI-N B4B210	ES	24218598	○
420	450	60	7,5		A open	BI-N B4B210	ES	24219013	○
420	450	61,5	7,5		B open	BI-N B4B210	ES	24071213	○
420	460	60	10		A closed	BI-N B4B210	ES	24098516	○
420	460	60	10		A open	BI-N B4B210	ES	24289410	○
420	460	70	10		A closed	BI-N B4B210	ES	24109496	○
420	460	70	10		A open	BI-N B4B210	ES	24134937	○
420	460	71,5	10		B open	BI-N B4B210	ES	24069492	○
420	460	71,5	10		B closed	BI-N B4B210	ES	24074765	○
420	460	79	10		A open	BI-N B4B210	ES	24219014	○
420	460	79	10		A closed	BI-N B4B210	ES	24219206	○
420	460	80	10		A closed	BI-N B4B210	ES	24077332	○
420	460	80	10		A open	BI-N B4B210	ES	24219015	○
420	460	80,5	10		B open	BI-N B4B210	ES	24218599	○

● Available from stock ○ On request: Tool is available, delivery at short notice

d	D	L	C	Housing	Type	Material	Type	Article No.	
420	460	80,5	10		B closed	BI-N B4B210	ES	24218783	○
420	460	81,5	10		B open	BI-N B4B210	ES	24129597	○
420	460	81,5	10		B closed	BI-N B4B210	ES	24218784	○
420	460	81,5	10		B closed	BI-N B4B210	ES	24218785	○
420	460	89	10		A open	BI-N B4B210	ES	24219016	○
420	460	89	10		A closed	BI-N B4B210	ES	24219207	○
420	460	90,5	10		B open	BI-N B4B210	ES	24218600	○
425	465	70	10		A open	BI-N B4B210	ES	24090496	○
425	465	71,5	10		B open	BI-N B4B210	ES	24121155	○
425	465	81,5	10		B open	BI-N B4B210	ES	24083265	○
430	460	52,5	7,5		A open	BI-N B4B210	ES	24219017	○
430	460	54	7,5		B open	BI-N B4B210	ES	24218601	○
430	460	60	7,5		A open	BI-N B4B210	ES	24219018	○
430	460	61,5	7,5		B open	BI-N B4B210	ES	24218602	○
430	470	60	10		A open	BI-N B4B210	ES	24298359	○
430	470	61,5	10		B open	BI-N B4B210	ES	24082970	○
430	470	70	10		A open	BI-N B4B210	ES	24219019	○
430	470	71,5	10		B open	BI-N B4B210	ES	24177234	○
430	470	79	10		A open	BI-N B4B210	ES	24219020	○
430	470	80	10		A open	BI-N B4B210	ES	24219021	○
430	470	80,5	10		B open	BI-N B4B210	ES	24218603	○
430	470	81,5	10		B open	BI-N B4B210	ES	24097838	○
430	470	89	10		A open	BI-N B4B210	ES	24219022	○
430	470	90,5	10		B open	BI-N B4B210	ES	24218604	○
440	470	52,5	7,5		A open	BI-N B4B210	ES	24219023	○
440	470	54	7,5		B open	BI-N B4B210	ES	24218605	○
440	470	60	7,5		A open	BI-N B4B210	ES	24219024	○
440	470	61,5	7,5		B open	BI-N B4B210	ES	24218606	○
440	480	60	10		A closed	BI-N B4B210	ES	24072171	○
440	480	61,5	10		B closed	BI-N B4B210	ES	24148125	○
440	480	70	10		A closed	BI-N B4B210	ES	24099123	○
440	480	70	10		A open	BI-N B4B210	ES	24219025	○
440	480	71,5	10		B closed	BI-N B4B210	ES	24137057	○
440	480	71,5	10		B open	BI-N B4B210	ES	24218607	○
440	480	79	10		A open	BI-N B4B210	ES	24219026	○
440	480	79	10		A closed	BI-N B4B210	ES	24219208	○
440	480	80	10		A closed	BI-N B4B210	ES	24073676	○
440	480	80	10		A open	BI-N B4B210	ES	24219027	○
440	480	80,5	10		B open	BI-N B4B210	ES	24218608	○
440	480	80,5	10		B closed	BI-N B4B210	ES	24218786	○
440	480	81,5	10		B open	BI-N B4B210	ES	24104141	○
440	480	81,5	10		B closed	BI-N B4B210	ES	24218787	○
440	480	89	10		A open	BI-N B4B210	ES	24219028	○
440	480	89	10		A closed	BI-N B4B210	ES	24219209	○
440	480	90,5	10		B open	BI-N B4B210	ES	24218609	○
440	480	90,5	10		B closed	BI-N B4B210	ES	24218788	○
450	480	52,5	7,5		A open	BI-N B4B210	ES	24219029	○
450	480	54	7,5		B open	BI-N B4B210	ES	24218610	○
450	480	60	7,5		A open	BI-N B4B210	ES	24219030	○
450	480	60	10		A closed	BI-F B4K674	ESV	49008946	○

● Available from stock ○ On request: Tool is available, delivery at short notice

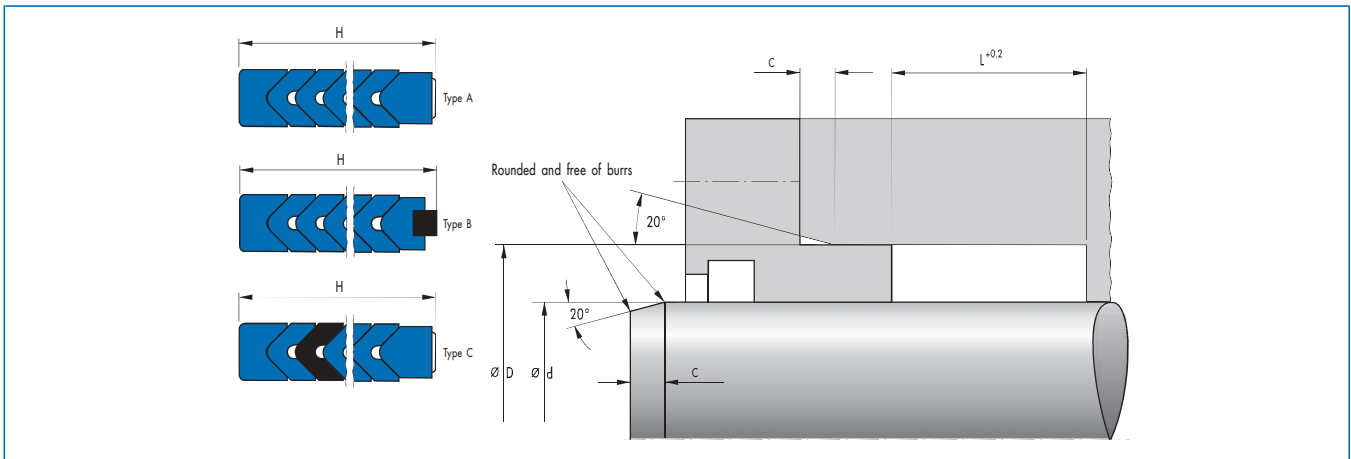


d	D	L	C	Housing	Type	Material	Type	Article No.	
450	480	61,5	7,5		B open	BI-N B4B210	ES	24218611	○
450	490	60	10		A closed	BI-N B4B210	ES	24071968	○
450	490	60	10		A open	BI-N B4B210	ES	24082110	○
450	490	61,5	10		B closed	BI-N B4B210	ES	24083442	○
450	490	61,5	10		B open	BI-N B4B210	ES	24287165	○
450	490	70	10		A open	BI-N B4B210	ES	24072716	○
450	490	70	10		A closed	BI-N B4B210	ES	24114458	○
450	490	71,5	10		B open	BI-N B4B210	ES	24149535	○
450	490	71,5	10		B closed	BI-N B4B210	ES	24218789	○
450	490	79	10		A closed	BI-N B4B210	ES	24144269	○
450	490	79	10		A open	BI-N B4B210	ES	24219031	○
450	490	80	10		A closed	BI-N B4B210	ES	24066931	○
450	490	80	10		A open	BI-N B4B210	ES	24089042	○
450	490	80,5	10		B open	BI-N B4B210	ES	24218612	○
450	490	80,5	10		B closed	BI-N B4B210	ES	24218790	○
450	490	81,5	10		B open	BI-N B4B210	ES	24075890	○
450	490	81,5	10		B closed	BI-N B4B210	ES	24087320	○
450	490	89	10		A open	BI-N B4B210	ES	24219032	○
450	490	89	10		A closed	BI-N B4B210	ES	24219210	○
450	490	90,5	10		B open	BI-N B4B210	ES	24021861	○
450	490	90,5	10		B closed	BI-N B4B210	ES	24218791	○
460	490	52,5	7,5		A open	BI-N B4B210	ES	24219033	○
460	490	52,5	7,5		A closed	BI-N B4B210	ES	24219211	○
460	490	54	7,5		B open	BI-N B4B210	ES	24218614	○
460	490	54	7,5		B closed	BI-N B4B210	ES	24218792	○
460	490	60	7,5		A open	BI-N B4B210	ES	24219034	○
460	490	60	7,5		A closed	BI-N B4B210	ES	24219212	○
460	490	61,5	7,5		B open	BI-N B4B210	ES	24218615	○
460	490	61,5	7,5		B closed	BI-N B4B210	ES	24218793	○
460	500	60	10		A closed	BI-N B4B210	ES	24235023	○
460	500	60	10		A open	BI-N B4B210	ES	24355016	○
460	500	70	10		A open	BI-N B4B210	ES	24219035	○
460	500	70	10		A closed	BI-N B4B210	ES	24219213	○
460	500	71,5	10		B open	BI-N B4B210	ES	24135172	○
460	500	71,5	10		B closed	BI-N B4B210	ES	24148439	○
460	500	79	10		A closed	BI-N B4B210	ES	24138356	○
460	500	79	10		A open	BI-N B4B210	ES	24219036	○

● Available from stock ○ On request: Tool is available, delivery at short notice

d	D	L	C	Housing	Type	Material	Type	Article No.	
460	500	80	10		A open	BI-N B4B210	ES	24219037	○
460	500	80	10		A closed	BI-N B4B210	ES	24219214	○
460	500	80,5	10		B open	BI-N B4B210	ES	24218616	○
460	500	80,5	10		B closed	BI-N B4B210	ES	24218794	○
460	500	81,5	10		B closed	BI-N B4B210	ES	24076722	○
460	500	81,5	10		B open	BI-N B4B210	ES	24188047	○
460	500	89	10		A closed	BI-N B4B210	ES	24079459	○
460	500	89	10		A open	BI-N B4B210	ES	24219038	○
460	500	90,5	10		B open	BI-N B4B210	ES	24218617	○
460	500	90,5	10		B closed	BI-N B4B210	ES	24218795	○
470	500	52,5	7,5		A open	BI-N B4B210	ES	24219043	○
470	500	54	7,5		B open	BI-N B4B210	ES	24218622	○
470	500	60	7,5		A closed	BI-N B4B210	ES	24114088	○
470	500	61,5	7,5		B open	BI-N B4B210	ES	24218623	○
470	500	61,5	7,5		B closed	BI-N B4B210	ES	24218799	○
470	510	60	10		A closed	BI-N B4B210	ES	24077623	○
470	510	60	10		A open	BI-N B4B210	ES	24328827	○
470	510	61,5	10		B closed	BI-N B4B210	ES	24261800	○
470	510	70	10		A closed	BI-N B4B210	ES	24086461	○
470	510	71,5	10		B open	BI-N B4B210	ES	24218624	○
470	510	71,5	10		B closed	BI-N B4B210	ES	24218800	○
470	510	79	10		A open	BI-N B4B210	ES	24219046	○
470	510	79	10		A closed	BI-N B4B210	ES	24219219	○
470	510	80	10		A closed	BI-N B4B210	ES	24086152	○
470	510	80	10		A open	BI-N B4B210	ES	24102327	○
470	510	80,5	10		B open	BI-N B4B210	ES	24218625	○
470	510	80,5	10		B closed	BI-N B4B210	ES	24218801	○
470	510	81,5	10		B closed	BI-N B4B210	ES	24073484	○
470	510	81,5	10		B open	BI-N B4B210	ES	24218626	○
470	510	89	10		A closed	BI-N B4B210	ES	24219220	○
470	510	90,5	10		B open	BI-N B4B210	ES	24218627	○
470	510	90,5	10		B closed	BI-N B4B210	ES	24218802	○
470	520	102	12,5		B open	BI-N B4B210	ES	24195501	○
475	505	61,5	7,5		B open	BI-N B4B210	ES	24350425	○
475	515	61,5	10		B open	BI-N B4B210	ES	24266457	○
475	515	71,5	10		B open	BI-N B4B210	ES	24191587	○
475	515	81,5	10		B open	BI-N B4B210	ES	24076698	○
480	510	52,5	7,5		A open	BI-N B4B210	ES	24219048	○
480	510	54	7,5		B open	BI-N B4B210	ES	24218628	○
480	510	60	7,5		A open	BI-N B4B210	ES	24219049	○
480	510	61,5	7,5		B open	BI-N B4B210	ES	24218629	○
480	520	60	10		A closed	BI-N B4B210	ES	24067704	○
480	520	61,5	10		B closed	BI-N B4B210	ES	24234854	○
480	520	70	10		A closed	BI-N B4B210	ES	24105043	○
480	520	70	10		A open	BI-N B4B210	ES	24219050	○
480	520	71,5	10		B open	BI-N B4B210	ES	24088276	○
480	520	71,5	10		B closed	BI-N B4B210	ES	24218803	○
480	520	79	10		A open	BI-N B4B210	ES	24219051	○
480	520	79	10		A closed	BI-N B4B210	ES	24219221	○
480	520	80	10		A closed	BI-N B4B210	ES	24073331	○

● Available from stock ○ On request: Tool is available, delivery at short notice



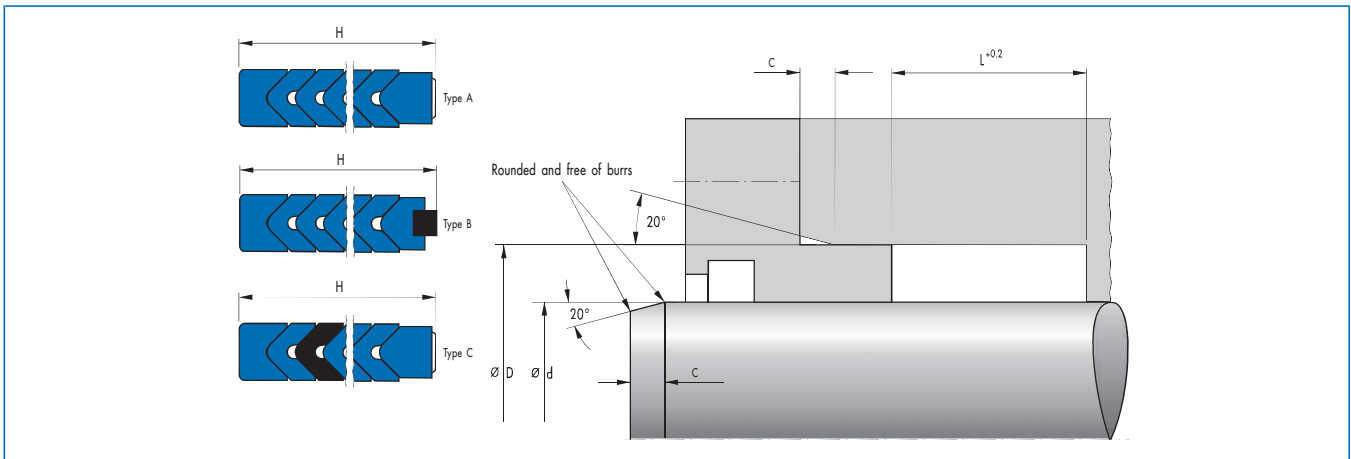
d	D	L	C	Housing	Type	Material	Type	Article No.	
480	520	80	10		A open	BI-N B4B210	ES	24219052	○
480	520	80,5	10		B open	BI-N B4B210	ES	24218630	○
480	520	80,5	10		B closed	BI-N B4B210	ES	24218804	○
480	520	81,5	10		B open	BI-N B4B210	ES	24083647	○
480	520	81,5	10		B closed	BI-N B4B210	ES	24097319	○
480	520	89	10		A open	BI-N B4B210	ES	24219053	○
480	520	89	10		A closed	BI-N B4B210	ES	24219222	○
480	520	90,5	10		B open	BI-N B4B210	ES	24218631	○
480	520	90,5	10		B closed	BI-N B4B210	ES	24218805	○
490	520	52,5	7,5		A open	BI-N B4B210	ES	24219054	○
490	520	54	7,5		B open	BI-N B4B210	ES	24218632	○
490	520	60	7,5		A open	BI-N B4B210	ES	24219055	○
490	520	61,5	7,5		B open	BI-N B4B210	ES	24149532	○
490	530	70	10		A open	BI-N B4B210	ES	24219056	○
490	530	71,5	10		B open	BI-N B4B210	ES	24218633	○
490	530	71,5	10		B closed	BI-N B4B210	ES	24218806	○
490	530	79	10		A open	BI-N B4B210	ES	24219057	○
490	530	80	10		A open	BI-N B4B210	ES	24219058	○
490	530	80,5	10		B open	BI-N B4B210	ES	24218634	○
490	530	80,5	10		B closed	BI-N B4B210	ES	24218807	○
490	530	81,5	10		B open	BI-N B4B210	ES	24077972	○
490	530	81,5	10		B closed	BI-N B4B210	ES	24218808	○
490	530	89	10		A open	BI-N B4B210	ES	24219059	○
490	530	90,5	10		B open	BI-N B4B210	ES	24218635	○
490	530	90,5	10		B closed	BI-N B4B210	ES	24218809	○
500	530	54	7,5		B open	BI-N B4B210	ES	24135092	○
500	540	60	10		A closed	BI-N B4B210	ES	24073680	○
500	540	60	10		A open	BI-N B4B210	ES	24289408	○
500	540	61,5	10		B closed	BI-N B4B210	ES	24101974	○
500	540	70	10		A closed	BI-N B4B210	ES	24078095	○
500	540	70	10		A open	BI-N B4B210	ES	24219060	○
500	540	71,5	10		B open	BI-N B4B210	ES	24071463	○
500	540	71,5	10		B closed	BI-N B4B210	ES	24122836	○
500	540	79	10		A open	BI-N B4B210	ES	24219061	○
500	540	79	10		A closed	BI-N B4B210	ES	24219223	○
500	540	80	10		A open	BI-N B4B210	ES	24069526	○
500	540	80	10		A closed	BI-N B4B210	ES	24075177	○

● Available from stock ○ On request: Tool is available, delivery at short notice

d	D	L	C	Housing	Type	Material	Type	Article No.	
500	540	80,5	10		B open	BI-N B4B210	ES	24218636	○
500	540	80,5	10		B closed	BI-N B4B210	ES	24232446	○
500	540	81,5	10		B closed	BI-N B4B210	ES	24084839	○
500	540	81,5	10		B open	BI-N B4B210	ES	24089167	○
500	540	89	10		A open	BI-N B4B210	ES	24219062	○
500	540	89	10		A closed	BI-N B4B210	ES	24219224	○
500	540	90,5	10		B open	BI-N B4B210	ES	24218637	○
500	540	90,5	10		B closed	BI-N B4B210	ES	24218810	○
500	550	100	12,5		A open	BI-N B4B210	ES	24219064	○
500	550	102	10		B closed	BI-N B4B210	ES	24021863	○
510	550	61,5	10		B open	BI-N B4B210	ES	24124812	○
510	550	70	10		A open	BI-N B4B210	ES	24111575	○
510	550	70	10		A closed	BI-N B4B210	ES	24266458	○
510	550	71,5	10		B open	BI-N B4B210	ES	24087359	○
510	550	81,5	10		B closed	BI-N B4B210	ES	24287922	○
510	560	100	12,5		A closed	BI-N B4B210	ES	24082070	○
510	560	100	12,5		A open	BI-N B4B210	ES	24219068	○
510	560	102	12,5		B closed	BI-N B4B210	ES	24124279	○
510	560	102	12,5		B open	BI-N B4B210	ES	24218642	○
520	550	60	7,5		A open	BI-N B4B210	ES	24246917	○
520	560	61,5	10		B open	BI-N B4B210	ES	24250502	○
520	560	70	10		A open	BI-N B4B210	ES	24219069	○
520	560	71,5	10		B open	BI-N B4B210	ES	24098086	○
520	560	80	10		A open	BI-N B4B210	ES	24080048	○
520	560	81,5	10		B open	BI-N B4B210	ES	24096048	○
520	570	100	12,5		A open	BI-N B4B210	ES	24183857	○
520	570	102	12,5		B open	BI-N B4B210	ES	24218644	○
525	565	81,5	10		B open	BI-N B4B210	ES	24147763	○
530	570	60	10		A closed	BI-N B4B210	ES	24214284	○
530	570	70	10		A open	BI-N B4B210	ES	24219071	○
530	570	70	10		A closed	BI-N B4B210	ES	24219226	○
530	570	71,5	10		B open	BI-N B4B210	ES	24109362	○
530	570	71,5	10		B closed	BI-N B4B210	ES	24218812	○
530	570	80	10		A open	BI-N B4B210	ES	24219072	○
530	570	80	10		A closed	BI-N B4B210	ES	24219227	○
530	570	81,5	10		B open	BI-N B4B210	ES	24071221	○
530	570	81,5	10		B closed	BI-N B4B210	ES	24218813	○
530	580	100	12,5		A closed	BI-N B4B210	ES	24114578	○
530	580	100	12,5		A open	BI-N B4B210	ES	24184291	○
530	580	102	12,5		B closed	BI-N B4B210	ES	24218815	○
535	575	60	10		A open	BI-N B4B210	ES	24339801	○
540	580	60	10		A closed	BI-N B4B210	ES	24145861	○
540	580	61,5	10		B open	BI-N B4B210	ES	24250612	○
540	580	70	10		A open	BI-N B4B210	ES	24219074	○
540	580	70	10		A closed	BI-N B4B210	ES	24219228	○
540	580	71,5	10		B open	BI-N B4B210	ES	24218645	○
540	580	71,5	10		B closed	BI-N B4B210	ES	24218816	○
540	580	80	10		A open	BI-N B4B210	ES	24075336	○
540	580	80	10		A closed	BI-N B4B210	ES	24170936	○
540	580	81,5	10		B open	BI-N B4B210	ES	24076138	○

● Available from stock ○ On request: Tool is available, delivery at short notice



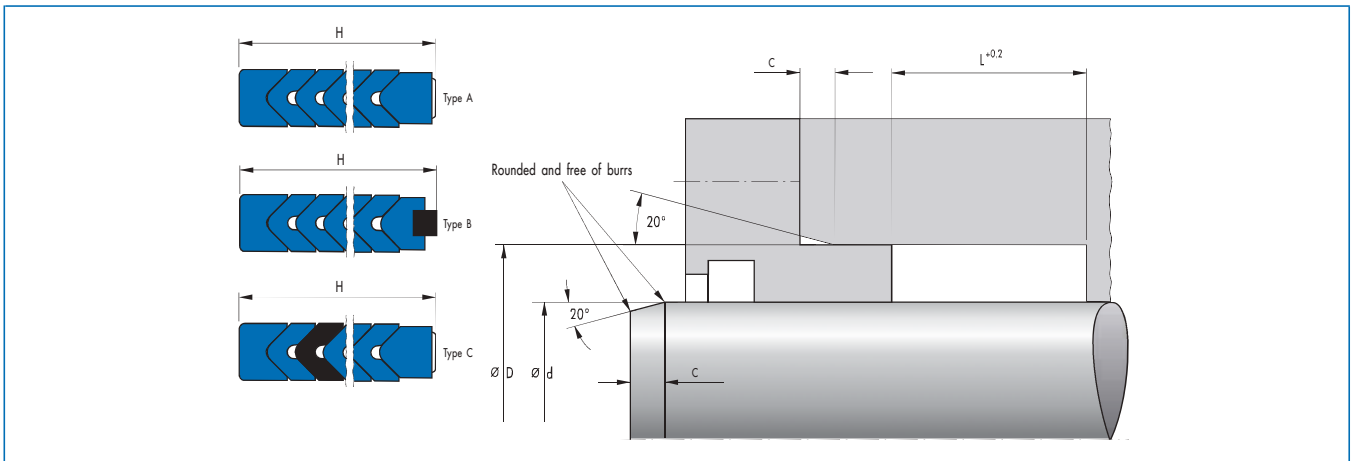


d	D	L	C	Housing	Type	Material	Type	Article No.	
540	580	81,5	10		B closed	BI-N B4B210	ES	24218817	○
540	580	90,5	10		B closed	BI-N B4B210	ES	24251957	○
545	585	81,5	10		B open	BI-N B4B210	ES	24198570	○
550	590	60	10		A closed	BI-N B4B210	ES	24067721	○
550	590	61,5	10		B closed	BI-N B4B210	ES	24146457	○
550	590	70	10		A open	BI-N B4B210	ES	24099983	○
550	590	70	10		A closed	BI-N B4B210	ES	24114443	○
550	590	71,5	10		B open	BI-N B4B210	ES	24093548	○
550	590	71,5	10		B closed	BI-N B4B210	ES	24218818	○
550	590	80	10		A closed	BI-N B4B210	ES	24068523	○
550	590	80	10		A open	BI-N B4B210	ES	24076184	○
550	590	81,5	10		B open	BI-N B4B210	ES	24092719	○
550	590	81,5	10		B closed	BI-N B4B210	ES	24118024	○
555	595	70	10		A open	BI-N B4B210	ES	24219077	○
555	595	70	10		A closed	BI-N B4B210	ES	24219229	○
555	595	71,5	10		B closed	BI-N B4B210	ES	24218819	○
555	595	80	10		A open	BI-N B4B210	ES	24219078	○
555	595	80	10		A closed	BI-N B4B210	ES	24219230	○
555	595	81,5	10		B open	BI-N B4B210	ES	24218647	○
555	595	81,5	10		B closed	BI-N B4B210	ES	24218820	○
560	600	60	10		A closed	BI-N B4B210	ES	24067725	○
560	600	61,5	10		B closed	BI-N B4B210	ES	24146345	○
560	600	70	10		A closed	BI-N B4B210	ES	24079662	○
560	600	70	10		A open	BI-N B4B210	ES	24219079	○
560	600	71,5	10		B open	BI-N B4B210	ES	24079390	○
560	600	71,5	10		B closed	BI-N B4B210	ES	24218821	○
560	600	80	10		A closed	BI-N B4B210	ES	24066933	○
560	600	80	10		A open	BI-N B4B210	ES	24219080	○
560	600	81,5	10		B closed	BI-N B4B210	ES	24064031	○
560	600	81,5	10		B open	BI-N B4B210	ES	24071225	○
560	600	90,5	10		B closed	BI-N B4B210	ES	24244771	○
560	610	100	12,5		A closed	BI-N B4B210	ES	24066944	○
560	610	102	12,5		B closed	BI-N B4B210	ES	24218823	○
570	610	71,5	10		B open	BI-N B4B210	ES	24243007	○
570	610	80	10		A open	BI-N B4B210	ES	24343524	○
570	610	81,5	10		B open	BI-N B4B210	ES	24101408	○
580	620	60	10		A open	BI-N B4B210	ES	24330921	○

● Available from stock ○ On request: Tool is available, delivery at short notice

d	D	L	C	Housing	Type	Material	Type	Article No.	
580	620	60	10		A closed	BI-N B4B210	ES	24340889	○
580	620	61,5	10		B open	BI-N B4B210	ES	24268708	○
580	620	70	10		A closed	BI-N B4B210	ES	24114437	○
580	620	70	10		A open	BI-N B4B210	ES	24219083	○
580	620	71,5	10		B closed	BI-N B4B210	ES	24218824	○
580	620	71,5	10		B open	BI-N B4B210	ES	24233518	○
580	620	80	10		A closed	BI-N B4B210	ES	24114580	○
580	620	80	10		A open	BI-N B4B210	ES	24145786	○
580	620	81,5	10		B open	BI-N B4B210	ES	24218649	○
580	620	81,5	10		B closed	BI-N B4B210	ES	24218825	○
580	630	100	12,5		A closed	BI-N B4B210	ES	24219231	○
580	630	102	12,5		B open	BI-N B4B210	ES	24107260	○
580	630	102	12,5		B closed	BI-N B4B210	ES	24218827	○
590	630	60	10		A closed	BI-N B4B210	ES	24114340	○
590	630	70	10		A closed	BI-N B4B210	ES	24091257	○
590	630	70	10		A open	BI-N B4B210	ES	24219084	○
590	630	71,5	10		B open	BI-N B4B210	ES	24218651	○
590	630	71,5	10		B closed	BI-N B4B210	ES	24218828	○
590	630	80	10		A closed	BI-N B4B210	ES	24083741	○
590	630	81,5	10		B closed	BI-N B4B210	ES	24009812	○
590	630	81,5	10		B closed	BI-N B4B210	ES	24218829	○
600	630	52,5	7,5		A open	BI-N B4B210	ES	24199064	○
600	640	60	10		A closed	BI-N B4B210	ES	24116145	○
600	640	70	10		A closed	BI-N B4B210	ES	24078738	○
600	640	70	10		A open	BI-N B4B210	ES	24219086	○
600	640	71,5	10		B closed	BI-N B4B210	ES	24063849	○
600	640	71,5	10		B open	BI-N B4B210	ES	24232447	○
600	640	80	10		A closed	BI-N B4B210	ES	24219232	○
600	640	81,5	10		B closed	BI-N B4B210	ES	24068954	○
600	640	81,5	10		B open	BI-N B4B210	ES	24071227	○
600	650	100	12,5		A open	BI-N B4B210	ES	24219089	○
600	650	102	12,5		B open	BI-N B4B210	ES	24132508	○
600	650	102	12,5		B closed	BI-N B4B210	ES	24218831	○
610	650	70	10		A open	BI-N B4B210	ES	24316425	○
610	650	80	10		A open	BI-N B4B210	ES	24222956	○
610	650	81,5	10		B open	BI-N B4B210	ES	24351998	○
620	650	52,5	7,5		A open	BI-N B4B210	ES	24346337	○
620	660	61,5	10		B open	BI-N B4B210	ES	24291254	○
620	660	70	10		A open	BI-N B4B210	ES	24219092	○
620	660	71,5	10		B open	BI-N B4B210	ES	24218655	○
620	660	80	10		A open	BI-N B4B210	ES	24219093	○
620	660	81,5	10		B open	BI-N B4B210	ES	24087689	○
620	670	100	12,5		A open	BI-N B4B210	ES	24219095	○
620	670	102	12,5		B open	BI-N B4B210	ES	24218657	○
630	670	61,5	10		B closed	BI-N B4B210	ES	24064701	○
630	670	61,5	10		B open	BI-N B4B210	ES	24106809	○
630	670	70	10		A open	BI-N B4B210	ES	24084675	○
630	670	70	10		A closed	BI-N B4B210	ES	24219238	○
630	670	71,5	10		B open	BI-N B4B210	ES	24218658	○
630	670	71,5	10		B closed	BI-N B4B210	ES	24218835	○

● Available from stock ○ On request: Tool is available, delivery at short notice

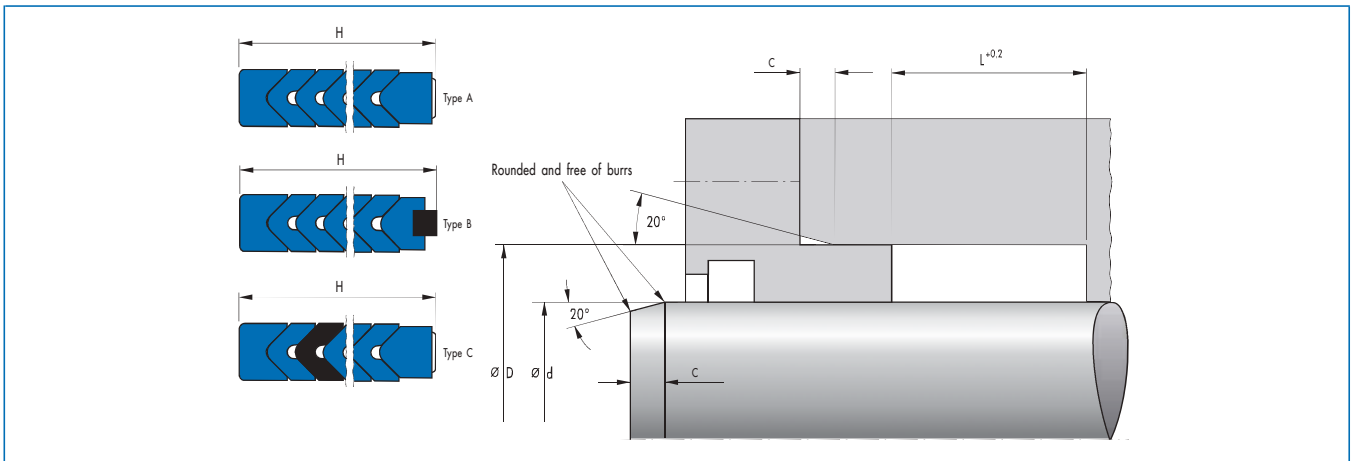


d	D	L	C	Housing	Type	Material	Type	Article No.	
630	670	80	10		A open	BI-N B4B210	ES	24219096	○
630	670	80	10		A closed	BI-N B4B210	ES	24219239	○
630	670	81,5	10		B open	BI-N B4B210	ES	24218659	○
630	670	81,5	10		B closed	BI-N B4B210	ES	24218836	○
630	680	100	12,5		A open	BI-N B4B210	ES	24219098	○
630	680	102	12,5		B open	BI-N B4B210	ES	24218661	○
640	680	70	10		A open	BI-N B4B210	ES	24219099	○
640	680	71,5	10		B open	BI-N B4B210	ES	24218662	○
640	680	80	10		A open	BI-N B4B210	ES	24087777	○
640	680	81,5	10		B open	BI-N B4B210	ES	24218663	○
640	690	100	12,5		A open	BI-N B4B210	ES	24219101	○
640	690	102	12,5		B open	BI-N B4B210	ES	24148978	○
650	690	70	10		A open	BI-N B4B210	ES	24219102	○
650	690	70	10		A closed	BI-N B4B210	ES	24219240	○
650	690	71,5	10		B open	BI-N B4B210	ES	24074106	○
650	690	71,5	10		B closed	BI-N B4B210	ES	24218839	○
650	690	80	10		A open	BI-N B4B210	ES	24081546	○
650	690	80	10		A closed	BI-N B4B210	ES	24172074	○
650	690	81,5	10		B open	BI-N B4B210	ES	24116502	○
650	690	81,5	10		B closed	BI-N B4B210	ES	24218840	○
650	700	100	12,5		A open	BI-N B4B210	ES	24267972	○
660	700	70	10		A open	BI-N B4B210	ES	24219103	○
660	700	71,5	10		B open	BI-N B4B210	ES	24218665	○
660	700	80	10		A open	BI-N B4B210	ES	24219104	○
660	700	81,5	10		B open	BI-N B4B210	ES	24218666	○
660	710	80	12,5		A closed	BI-N B4B210	ES	24197590	○
660	710	100	12,5		A open	BI-N B4B210	ES	24219106	○
660	710	102	12,5		B open	BI-N B4B210	ES	24218668	○
670	710	81,5	10		B open	BI-N B4B210	ES	24071181	○
670	720	100	12,5		A closed	BI-N B4B210	ES	24176117	○
670	720	100	12,5		A open	BI-N B4B210	ES	24219108	○
670	720	102	12,5		B open	BI-N B4B210	ES	24218670	○
670	720	102	12,5		B closed	BI-N B4B210	ES	24218842	○
675	725	100	12,5		A open	BI-N B4B210	ES	24103976	○
680	710	60	7,5		A open	BI-N B4B210	ES	24348073	○
680	720	70	10		A open	BI-N B4B210	ES	24219109	○
680	720	71,5	10		B open	BI-N B4B210	ES	24218671	○

● Available from stock ○ On request: Tool is available, delivery at short notice

d	D	L	C	Housing	Type	Material	Type	Article No.	
680	720	80	10		A open	BI-N B4B210	ES	24219110	○
680	720	81,5	10		B open	BI-N B4B210	ES	24218673	○
680	730	100	12,5		A open	BI-N B4B210	ES	24219112	○
680	730	102	12,5		B open	BI-N B4B210	ES	24218672	○
685	725	81,5	10		B open	BI-N B4B210	ES	24192820	○
690	730	61,5	10		B closed	BI-N B4B210	ES	24293797	○
690	730	70	10		A open	BI-N B4B210	ES	24219113	○
690	730	70	10		A closed	BI-N B4B210	ES	24219242	○
690	730	71,5	10		B open	BI-N B4B210	ES	24218674	○
690	730	71,5	10		B closed	BI-N B4B210	ES	24218843	○
690	730	80	10		A open	BI-N B4B210	ES	24219114	○
690	730	80	10		A closed	BI-N B4B210	ES	24219243	○
690	730	81,5	10		B open	BI-N B4B210	ES	24109229	○
690	730	81,5	10		B closed	BI-N B4B210	ES	24218844	○
695	735	80	10		A open	BI-N B4B210	ES	24296289	○
700	730	60	7,5		A open	BI-N B4B210	ES	24120063	○
700	740	60	10		A closed	BI-N B4B210	ES	24106925	○
700	740	61,5	10		B open	BI-N B4B210	ES	24193914	○
700	740	70	10		A closed	BI-N B4B210	ES	24078869	○
700	740	70	10		A open	BI-N B4B210	ES	24219115	○
700	740	71,5	10		B open	BI-N B4B210	ES	24103215	○
700	740	71,5	10		B closed	BI-N B4B210	ES	24218845	○
700	740	80	10		A open	BI-N B4B210	ES	24219116	○
700	740	80	10		A closed	BI-N B4B210	ES	24219261	○
700	740	81,5	10		B open	BI-N B4B210	ES	24218675	○
700	740	81,5	10		B closed	BI-N B4B210	ES	24218846	○
700	740	90,5	10		B closed	BI-N B4B210	ES	24239435	○
700	750	100	12,5		A open	BI-N B4B210	ES	24219118	○
700	750	102	12,5		B open	BI-N B4B210	ES	24128272	○
710	750	60	10		A closed	BI-N B4B210	ES	24195814	○
710	750	61,5	10		B closed	BI-N B4B210	ES	24238814	○
710	750	70	10		A closed	BI-N B4B210	ES	24074993	○
710	750	70	10		A open	BI-N B4B210	ES	24219121	○
710	750	71,5	10		B closed	BI-N B4B210	ES	24082443	○
710	750	71,5	10		B open	BI-N B4B210	ES	24218679	○
710	750	80	10		A open	BI-N B4B210	ES	24219122	○
710	750	80	10		A closed	BI-N B4B210	ES	24219245	○
710	750	81,5	10		B open	BI-N B4B210	ES	24071177	○
710	750	81,5	10		B closed	BI-N B4B210	ES	24218849	○
710	750	90,5	10		B closed	BI-N B4B210	ES	24129422	○
710	760	100	12,5		A closed	BI-N B4B210	ES	24114586	○
710	760	100	12,5		A open	BI-N B4B210	ES	24186413	○
710	760	102	12,5		B open	BI-N B4B210	ES	24218680	○
710	760	102	12,5		B closed	BI-N B4B210	ES	24218851	○
720	760	70	10		A open	BI-N B4B210	ES	24219123	○
720	760	71,5	10		B open	BI-N B4B210	ES	24218681	○
720	760	80	10		A open	BI-N B4B210	ES	24187283	○
720	770	100	12,5		A open	BI-N B4B210	ES	24219125	○
720	770	100	12,5		A closed	BI-N B4B210	ES	24219247	○
720	770	102	12,5		B open	BI-N B4B210	ES	24218684	○

● Available from stock ○ On request: Tool is available, delivery at short notice



d	D	L	C	Housing	Type	Material	Type	Article No.	
800	850	70	12,5		A open	BI-N B4B210	ES	24192354	○
800	850	80	12,5		A closed	BI-N B4B210	ES	24067763	○
800	850	82	12,5		B closed	BI-N B4B210	ES	24077894	○
800	850	100	12,5		A closed	BI-N B4B210	ES	24066922	○
800	850	100	12,5		A open	BI-N B4B210	ES	24094794	○
800	850	102	12,5		B closed	BI-N B4B210	ES	24103851	○
800	850	102	12,5		B open	BI-N B4B210	ES	24104080	○
810	850	81,5	10		B open	BI-N B4B210	ES	24353087	○
820	860	71,5	10		B open	BI-N B4B210	ES	24263168	○
820	870	100	12,5		A closed	BI-N B4B210	ES	24114587	○
820	870	100	12,5		A open	BI-N B4B210	ES	24219137	○
820	870	102	12,5		B open	BI-N B4B210	ES	24218694	○
820	870	102	12,5		B closed	BI-N B4B210	ES	24218857	○
825	875	102	12,5		B open	BI-N B4B210	ES	24267024	○
830	880	100	12,5		A open	BI-N B4B210	ES	24342533	○
840	880	81,5	10		B open	BI-N B4B210	ES	24335687	○
840	890	100	12,5		A open	BI-N B4B210	ES	24357980	○
850	890	60	10		A closed	BI-N B4B210	ES	24339224	○
850	890	61,5	10		B closed	BI-N B4B210	ES	24263169	○
850	890	70	10		A closed	BI-N B4B210	ES	24114461	○
850	890	70	10		A open	BI-N B4B210	ES	24219138	○
850	890	71,5	10		B open	BI-N B4B210	ES	24218695	○
850	890	71,5	10		B closed	BI-N B4B210	ES	24218858	○
850	890	80	10		A open	BI-N B4B210	ES	24131119	○
850	890	80	10		A closed	BI-N B4B210	ES	24219250	○
850	890	81,5	10		B closed	BI-N B4B210	ES	24077013	○
850	890	81,5	10		B open	BI-N B4B210	ES	24218696	○
850	900	70	12,5		A closed	BI-N B4B210	ES	24114382	○
850	900	100	12,5		A open	BI-N B4B210	ES	24219140	○
850	900	100	12,5		A closed	BI-N B4B210	ES	24219252	○
850	900	102	12,5		B open	BI-N B4B210	ES	24218698	○
850	900	102	12,5		B closed	BI-N B4B210	ES	24218860	○
860	900	60	10		A open	BI-N B4B210	ES	24359911	○
860	910	102	12,5		B open	BI-N B4B210	ES	24199041	○
870	920	100	12,5		A open	BI-N B4B210	ES	24219142	○
870	920	100	12,5		A closed	BI-N B4B210	ES	24219254	○
870	920	102	12,5		B open	BI-N B4B210	ES	24117560	○

● Available from stock ○ On request: Tool is available, delivery at short notice

d	D	L	C	Housing	Type	Material	Type	Article No.	
870	920	102	12,5		B closed	BI-N B4B210	ES	24218862	○
875	925	100	12,5		A closed	BI-N B4B210	ES	24101244	○
875	925	102	12,5		B open	BI-N B4B210	ES	24085902	○
880	930	101	12,5		B open	BI-N B4B210	ES	24244245	○
900	940	70	10		A closed	BI-N B4B210	ES	24219257	○
900	940	71,5	10		B closed	BI-N B4B210	ES	24218865	○
900	940	80	10		A closed	BI-N B4B210	ES	24219258	○
900	940	81,5	10		B closed	BI-N B4B210	ES	24218866	○
900	950	100	12,5		A closed	BI-N B4B210	ES	24066945	○
900	950	100	12,5		A open	BI-N B4B210	ES	24219146	○
900	950	102	12,5		B open	BI-N B4B210	ES	24218703	○
900	950	102	12,5		B closed	BI-N B4B210	ES	24218868	○
925	975	100	12,5		A open	BI-N B4B210	ES	24351206	○
930	980	102	12,5		B open	BI-N B4B210	ES	24261784	○
950	1000	91	12,5		B closed	BI-N B4B210	ES	24214711	○
950	1000	100	12,5		A closed	BI-N B4B210	ES	24114590	○
950	1000	100	12,5		A open	BI-N B4B210	ES	24219150	○
950	1000	102	12,5		B open	BI-N B4B210	ES	24218707	○
950	1000	102	12,5		B closed	BI-N B4B210	ES	24218870	○
960	1010	100	12,5		A open	BI-N B4B210	ES	24073190	○
960	1010	102	12,5		B open	BI-N B4B210	ES	24218709	○
975	1015	61,5	10		B open	BI-N B4B210	ES	24263162	○
980	1020	81,5	10		B open	BI-N B4B210	ES	24078616	○
1000	1040	61,5	10		B open	BI-N B4B210	ES	24267847	○
1000	1040	71,5	10		B open	BI-N B4B210	ES	24218710	○
1000	1040	81,5	10		B open	BI-N B4B210	ES	24071280	○
1000	1050	100	12,5		A closed	BI-N B4B210	ES	24114995	○
1000	1050	100	12,5		A open	BI-N B4B210	ES	24219155	○
1000	1050	102	12,5		B closed	BI-N B4B210	ES	24137135	○
1000	1050	102	12,5		B open	BI-N B4B210	ES	24218712	○
1020	1070	102	12,5		B open	BI-N B4B210	ES	24343588	○
1050	1100	100	12,5		A closed	BI-N B4B210	ES	24071553	○
1060	1110	100	12,5		A open	BI-N B4B210	ES	24356608	○
1070	1120	100	12,5		A open	BI-N B4B210	ES	24352076	○
1080	1130	102	12,5		B open	BI-N B4B210	ES	24359160	○
1100	1140	80	10		A open	BI-N B4B210	ES	24098392	○
1100	1150	102	12,5		B open	BI-N B4B210	ES	24122700	○
1130	1170	60	10		A open	BI-N B4B210	ES	24144932	○
1150	1200	70	12,5		A open	BI-N B4B210	ES	24175251	○
1220	1270	100	12,5		A closed	BI-N B4B210	ES	24335019	○

● Available from stock ○ On request: Tool is available, delivery at short notice